

User Manual of LED Flood Light

Product Introduction:

Welcome to purchase our led flood light, which is with imported high-brightness SMD3535/3030 led chip, with Die cast aluminum radiator with high thermal conductivity, and high efficiency constant current or constant voltage driver. Ideal product for the Stadiums, squares, Wharf, Harbor Plaza, and similar applications

Product Features:

- ☆ The material of heat sink is high thermal conductivity aluminum, good for heat dissipation and the surface is anti-static.
- ☆ Adjust the angle of each mold without tools, Replace each mold without tools
- ☆ No screws appeared on the front view, High end industrial design brings a more dramatic impact
- ☆ This fixture is waterproof, dustproof, anticorrosive

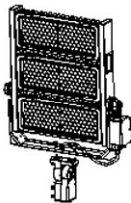
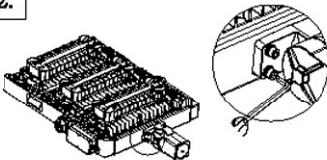
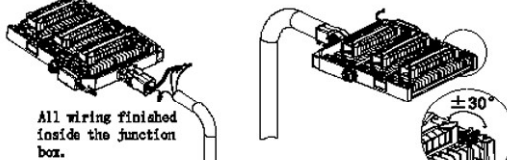
Technical Parameters:

Product/Parameter	250W led flood light	500W led flood light	750W led flood light	1000W led flood light	1250W led flood light
Input Voltage	AC100-240V/240-480V	AC100-240V/240-480V	AC100-240V/240-480V	AC100-240V/240-480V	AC100-240V/240-480V
Power Frequency	50/60 Hz	50/60 Hz	50/60 Hz	50/60 Hz	50/60 Hz
Rated Power	250 W	500 W	750 W	1000 W	1250 W
Material	aluminum	aluminum	aluminum	aluminum	aluminum
Driver 1	MEANWELL: HLG-240H-48AB/ELG-240H-48AB/HVG-240H-48AB MCS0:LDP-240M062				
Working Temperature	-30°~+50°	-30°~+50°	-30°~+50°	-30°~+50°	-30°~+50°
Storing Temperature	-40°~+70°	-40°~+70°	-40°~+70°	-40°~+70°	-40°~+70°
Working Humidity	15%~90% RH	15%~90% RH	15%~90% RH	15%~90% RH	15%~90% RH
Beam Angle	10°/30°/60°/120°	10°/30°/60°/120°	10°/30°/60°/120°	10°/30°/60°/120°	10°/30°/60°/120°
Color Temperature	3000K/4000K/5000K/5700K/6500K				
Net Weight	8.5kg±0.5	16.8kg±0.5	25.5kg±0.5	32kg±0.5	40kg±0.5
Gross Weight	7.3kg±0.5	20.8kg±0.5	26kg±0.5	36kg±0.5	43.6kg±0.6
Lamp Dimension	296*483*134.5mm	563.8*610*136.2mm	764.8*610*136.2mm	966.8*610*136.2mm	1146.8*610*136.2mm
Package Size	L530*W345*H190mm	L822*W617*H211mm	L822*W617*H211mm	L1022*W617*H211mm	L1207*W617*H235mm

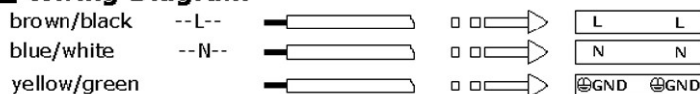
Warning:

1. Please read the manual carefully before installation.
2. Please authorize only qualified person or professional engineer to install the fixture.
3. Before installation, Please check if the local voltage range is correspond with the working voltage of the fixture.
4. If the fixture is damaged, it should be replaced by the supplier, a service agent or a qualified person.
5. please keep the fixture out of fire, electric shock, vibration.
6. To avoid fire, electric, shock

Installation

<p>1.</p>  <p>1. Pass the AC wire through the lamp hold</p>	<p>2.</p>  <p>2. Fix the lamp head on the straight arm bracket with M8 screws and tighten</p>	<p>3.</p>  <p>All wiring finished inside the junction box.</p> <p>3. Wiring, distinguishing between positive and negative poles and grounding wire, Confirm the installation OK, adjust the appropriate angle, the single module can rotate at an angle of $\pm 30^\circ$</p>
--	--	--

Wiring Diagram



Matters needing attention:

Installation method 2,3 only applicable to 500W, 750W lamps, installation method 4 only applicable to 250W lamps