

Product Description

The Alume Series Straight Round Aluminum poles are built from extruded aluminum tube with high-strength die cast aluminum base and are available side drilled for arm mounted area lighting luminaires or with tenon mounts for flood and post top luminaires. Mounting heights of 10' to 25'.

> Quick Ship - In Stock, Ready to Ship

Project:		Type:
Location:		
Prepared By:		Date:
Comments:		

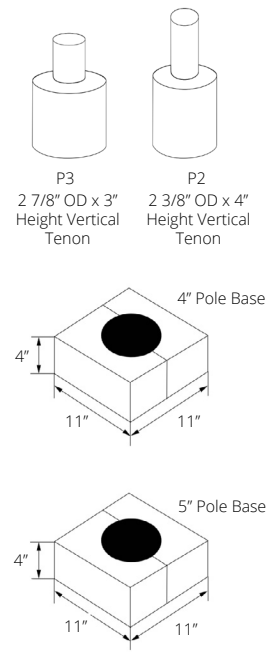
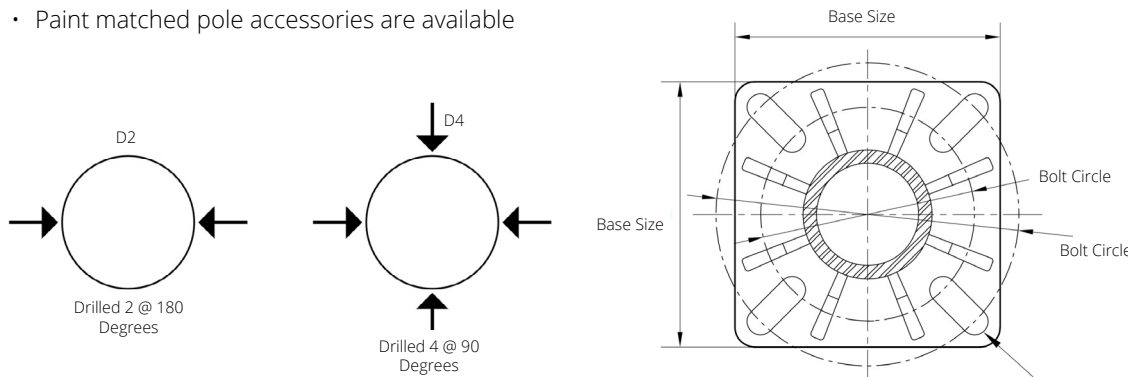
Performance Summary

- USA assembled product with quick warranty support
- Pole shaft is uniform wall thickness and one-piece extruded 6063 aluminum alloy with T6 temper
- Anchor base is 356 alloy aluminum die cast and is heat treated to a T6 temper after welding
- Wall thickness: .196"
- Polycarbonate top cover and hole plugs for unused drilling locations
- Poles are pre-drilled for side mount
- Textured architectural back polyester powdercoat finish
- Baked to ensure maximum paint adhesion, hardness and durability
- Anchor bolts are Included and sized based on selected pole size
- Die cast aluminum reinforced cast iron hand-hole and cover with ground screw
- Pole includes a two-piece formed aluminum base cover
- Base cover is easily assembled and fitted over pole base
- Custom length pole height cutting is available
- Drill templates available for a variety of luminaire mounting options
- Paint matched pole accessories are available

ALUME 2 SERIES

Straight Round Aluminum Poles

4" & 5"



Models:

- WDPSR2045: Up to 20 foot, 4 inch round, 8.5"-12" bolt circle, 10.5" base size, 1" base thickness, 4" bolt projection
- WDPSR2555: 25 foot, 5 inch round, 8.5"-12" bolt circle, 10.5" base size, 1" base thickness, 4" bolt projection

Ordering Information:			Part Number:	Ordering Example: WDPSR2045-20-BK-P2-NO		
*Adder Applies. Extended Lead Time Applies.						
Family	Pole Height	Housing Finish	Pole Top Mounting	Options	Accessories	
WDPSR2045 WDPSR2555	10 - 10 Foot* 12 - 12 Foot* 14 - 14 Foot* 16 - 16 Foot* 18 - 18 Foot* 20 - 20 Foot 25 - 25 Foot CS - Custom*	BK - Black	D2 - Drilled 2 Sides at 180 Degrees with Plugs D4 - Drilled 4 Sides at 90 Degrees with Plugs P2 - 2 3/8" OD x 4" Height Vertical Tenon* P3 - 2 7/8" OD x 3" Height Vertical Tenon*	NO - No Options LAB - Less Anchor Bolts LBC - Less Base Cover	SEE NEXT PAGE	



Vivid Leds, Inc.
PO BOX 9
Sellersburg, IN 47172
800-974-3570
www.vividleds.us

Dimensions, specifications, and product pictures are subject to change without notice.

EPA:

Wind Loading and Dimensional Data:

Pole Description		80 MPH		90 MPH		100 MPH		110 MPH		120 MPH		130 MPH		140 MPH		150 MPH		Structure Weight (LBS)
Shaft Size & Wall Thickness	Mounting Height	Max EPA (SQ FT)	Max Weight (LBS)	Max EPA (SQ FT)	Max Weight (LBS)	Max EPA (SQ FT)	Max Weight (LBS)	Max EPA (SQ FT)	Max Weight (LBS)	Max EPA (SQ FT)	Max Weight (LBS)	Max EPA (SQ FT)	Max Weight (LBS)	Max EPA (SQ FT)	Max Weight (LBS)	Max EPA (SQ FT)	Max Weight (LBS)	
4" Round, 5mm Wall	10' - 0"	16.3	175	12.0	100	9.4	100	7.6	100	6.3	100	5.3	100	4.5	100	3.9	100	43
	12' - 0"	12.1	185	9.6	100	7.4	100	5.9	100	4.9	100	4.1	100	3.5	100	2.9	100	52
	14' - 0"	9.7	190	7.7	100	5.8	100	4.6	100	3.7	100	3.1	100	2.6	100	2.2	100	60
	16' - 0"	7.5	155	6.0	100	4.4	100	3.3	100	2.7	100	2.2	100	1.8	100	1.5	100	69
	18' - 0"	5.7	125	4.6	100	3.1	100	2.3	100	1.8	100	1.4	100	1.1	100	0.9	100	78
	20' - 0"	4.3	95	3.3	100	2.1	100	1.4	100	1.0	100	0.7	100	0.5	100	-	-	86
5" Round, 5mm Wall	16' - 0"	10.1	200	8.6	100	6.6	100	5.3	100	4.4	100	3.6	100	3.0	100	2.5	100	72
	18' - 0"	8.0	255	6.8	100	5.1	100	4.1	100	3.3	100	2.7	100	2.2	100	1.8	100	81
	20' - 0"	6.4	150	5.2	100	3.8	100	3.0	100	2.3	100	1.9	100	1.5	100	1.2	100	90
	25' - 0"	4.0	200	3.4	100	2.4	100	1.7	100	1.2	100	0.8	100	0.6	100	-	-	112

NOTES:

- Maximum EPA (Effective Projected Area) and weight values are based on AASHTO 2013 (90-150MPH) and AASHTO 2008 (80MPH)
- Consult factory on loading criteria for pole top mounted luminaires and/or brackets
- Variations from sizes above are available upon inquiry at the factory
- Satisfactory performance of poles is dependent upon the pole properly attached to a supporting foundation of adequate design
- Structure weight is a nominal value which includes the pole shaft and base plate only
- Side drilled poles include polycarbonate pole cap
- All poles include anchor bolts standard, consult dimension table for size based on pole dimensions
- All poles include square 2-piece black base cover
- Pole accessories listed below use their own part number
- Pole accessories are field installed
- Pole accessories color match the black pole

Accessories for 4" & 5" Straight Round Aluminum Pole:

VVDPTS1SZ - Single Spoke Bracket, fits P2 Tenon 	VVDPTS290SZ - Twin Spoke Bracket, 90 Degree Arms, fits P2 Tenon 	VVDPTS2180SZ - Twin Spoke Bracket, 180 Degree Arms, fits P2 Tenon 
VVDPTS390SZ - Triple Spoke Bracket, 90 Degree Arms, fits P2 Tenon 	VVDPTS3120SZ - Triple Spoke Bracket, 120 Degree Arms, fits P2 Tenon 	VVDPTS490SZ - Quad Spoke Bracket, 90 Degree Arms, fits P2 Tenon 
VVDPRSWMBZ - Wall Mount Bracket 	VVDPRSWMB90Z - Wall Mount Bracket, 90 Degrees 	