

Product Description

The Aurora series delivers quality and performance at an affordable price. Utilizing the latest Epistar LEDs, the luminaires offer an exceptional efficacy with accurate color projection. Whether you need to replace your existing architectural lighting or install for new construction, Vivid Leds can help you deliver a perfect solution. There are many accessories available to complete the job from start to finish.

> Standard Ship - 30 Day Lead Time

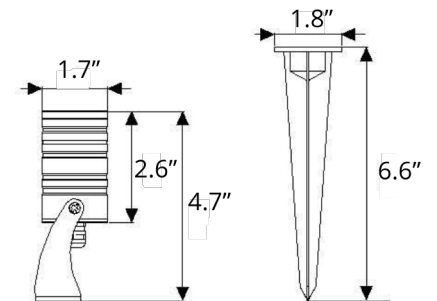
Project:		Type:
Location:		
Prepared By:		Date:
Comments:		

Performance Summary

- Epistar LEDs with RGB efficacy >35 Lm/W and white >80 Lm/W**
- Provides rich atmosphere with excellent color rendering
- Solid state with high shock and vibration resistance
- Dimming capability with optional DMX controller
- Each red, green & blue LED has a 256 color depth
- Precise optics with photometric lens built over each LED
- Easy installation and aiming with detachable rotating yoke bracket
- Includes mounting bracket with one screw position & optional spike
- 180 degree bracket rotation for ground or wall mounting
- DMX IP Coder and controller required to operate color changing feature
- Static color or white option only requires a transformer
- High vertical illuminance for large space lighting
- Extruded 6063 aluminum alloy housing with silver finish
- Durable tempered glass cover with water resistant protection
- Pure aluminum heatsinks improve thermal property
- Corrosion resistant, durable, with high efficiency
- Natural convection cooling method
- Light lens is 30% brighter than ordinary lens
- 1' HO5RN-F 18 AWG cable attached through waterproof grommet
- Contains no mercury or lead, no infrared or UV radiation
- Operating temperature: -20 to 40 degrees celsius
- IP65 rated for outdoor applications
- Low voltage: 12 VDC, UL Listed transformers available
- 100,000 hour LED life
- Certifications: CE, RoHS
- 1 year system warranty

AURORA SPOT 1 SERIES

Static Color, Static White, or RGB Color Changing
LED Low Voltage Surface Mount Luminaire



Models:

- VDSPA1: 1 LED - 3W - 1.7" x 4.7" - 1 Lbs - Single Color Only
 - VDSPA3: 3 LEDs - 3W - 1.7" x 4.7" - 1 Lbs - RGB Only
- Static color or white - 1 LED
RGB rotating LEDs - R:1, G:1, B:1

Ordering Information:

Part Number:

*Adder Applies

Ordering Example: VDSPA1-W-20-12-SG-YK

Family	CCT	Optic	Voltage	Finish	Mounting	Accessories*
VDSPA1 VDSPA3	RGB - RGB Color Changing W - Static White - 3000K N - Static White - 4300K C - Static White - 6000K R - Static Red - 625nm G - Static Green - 525nm B - Static Blue - 460nm Y - Static Yellow/Amber - 590nm	15 - 15 Degree 20 - 20 Degree (Single Color Only) 25 - 25 Degree (RGB Only) 40 - 40 Degree (RGB Only) 45 - 45 Degree (Single Color Only)	12 - 12 VDC	SG - Silver Gray CS - Custom*	YK - Yoke Bracket SP - Spike*	DMX Cables DMX Controllers RGB to DMX IP Coders Wireless DMX Signal Amplifiers Power Cables Waterproof Connectors Transformers



Vivid Leds, Inc.
PO BOX 9
Sellersburg, IN 47172
800-974-3570
www.vividleds.us

Dimensions, specifications, and product pictures are subject to change without notice.

**80 Lm/W is based on 6000K white CCT. Static color or RGB LEDs > 35 Lm/W.

The product on this page is a manufactured to order, non-stocking item. This product cannot be returned for refund or credit.

K4

Revised 6.1.16