

## Product Description

The Twilight series is the leader in the industry for an economical color changing luminaire. Sticking to the basics by using industry standard DMX protocol for control, to clever wiring, the Twilight series offers a basic solution that applies to even the most difficult applications. With quality throughout, from the LEDs to the die-cast housing, the Twilight shines above the rest.

> Standard Ship - 30 Day Lead Time

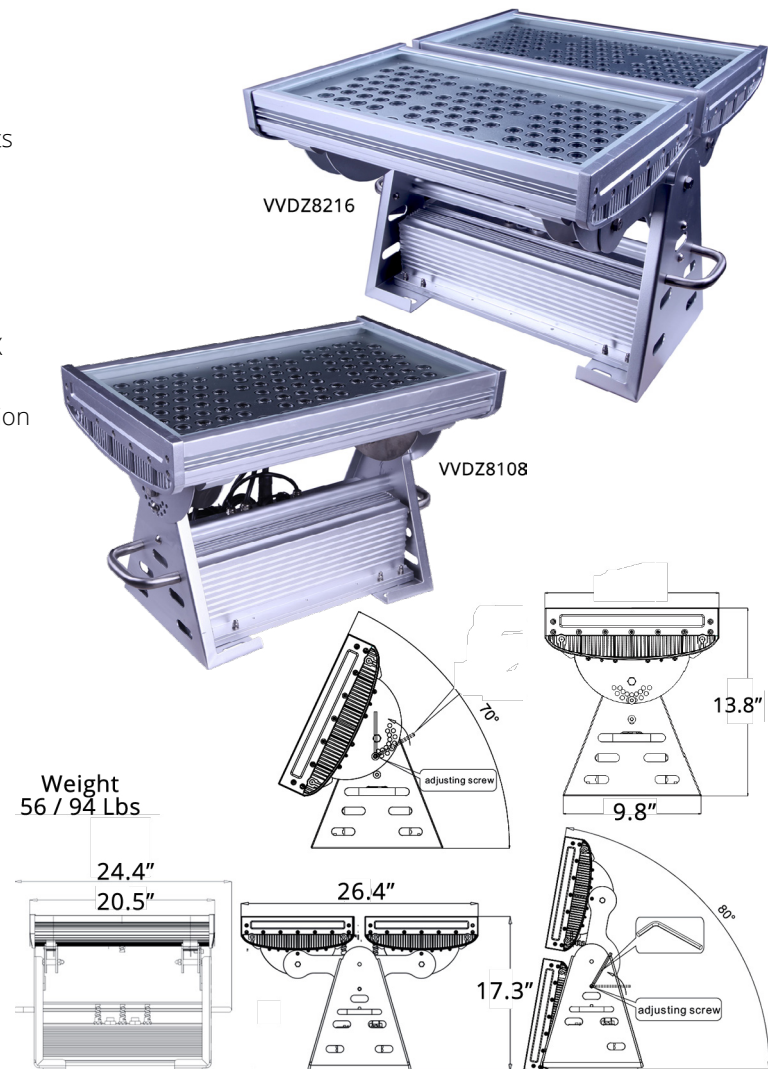
Project:		Type:	
Location:			
Prepared By:		Date:	
Comments:			

## Performance Summary

- Edison LEDs with RGB efficacy >35 Lm/W and white >80 Lm/W\*\*
- High powered 3W LEDs for long light throw
- Solid state with high shock and vibration resistance
- Each red, green & blue LED has a 256 color depth
- Precise optics with photometric lens built over each LED
- Ground mounted attached base secures with four bolts
- Easy installation and aiming with multiple detachable rotating brackets
- RGB color changing modes by any DMX 512 controller
- Dimming capability by any DMX controller
- Vandal proof with no option to alter DMX functions
- DMX coding required by Kontrol Master Pro 3 Series
- Kontrol Master Pro 3 sold separately, only one needed per job
- Static color or white option dimming and on/off control requires DMX
- High vertical illuminance for large space lighting
- Extruded 6063 aluminum & iron silver housing with low heat generation
- Durable polycarbonate clear cover with water resistant protection
- Natural convection cooling method
- Light lens is 30% brighter than ordinary lens
- 5' power cord whip & 1.5' in and out IP68 DMX cables included
- Contains no mercury or lead and cool to the touch
- No infrared or UV radiation
- Operating temperature: -20 to 40 degrees celsius
- IP65 rated, applicable for indoor or outdoor applications
- Universal voltage: 100-240 VAC
- 100,000 hour LED life
- Certifications: CE, RoHS, ETL
- 1 year system warranty - 2 or 3 year optional

## TWILIGHT Z8 SERIES

Static Color, Static White or RGB Color Changing  
LED DMX Wash, Stripe, Spot or Graze



## Models:

- VVDZ8108: 108 LEDs - 250W - 12.6" x 24.4" x 17.3" - 56 Lbs
- VVDZ8216: 216 LEDs - 500W - 26.4" x 24.4" x 17.3" - 94 Lbs

Static color or white - 108/216 LEDs  
RGB rotating LEDs - R:36/72, G:36/72, B:36/72

## Ordering Information:

Part Number:

\*Adder Applies

Ordering Example: VVD78108-RGB-10-UNV-SG-BS

Family	CCT	Optic	Voltage	Finish	Mounting	Accessories*
VVDZ8108 VVDZ8216	RGB - RGB Color Changing W - Static White - 3000K N - Static White - 4300K C - Static White - 6000K R - Static Red - 625nm G - Static Green - 525nm B - Static Blue - 460nm Y - Static Yellow/Amber - 590nm	10 - 10 Degree* 15 - 15 Degree 30 - 30 Degree 45 - 45 Degree	UNV - 100-240V	SG - Silver Gray CS - Custom*	BS - Ground Base	GP - Field Installed Grounded Plug  DMX Cables DMX Controllers Wireless DMX Signal Amplifiers



Vivid Leds, Inc.  
PO BOX 9  
Sellersburg, IN 47172  
800-974-3570  
www.vividleds.us

Dimensions, specifications, and product pictures are subject to change without notice.

\*\*80 Lm/W is based on 6000K white CCT. Static color or RGB LEDs > 35 Lm/W.

The product on this page is a manufactured to order, non-stocking item. This product cannot be returned for refund or credit.

J15

Revised 4.15.18