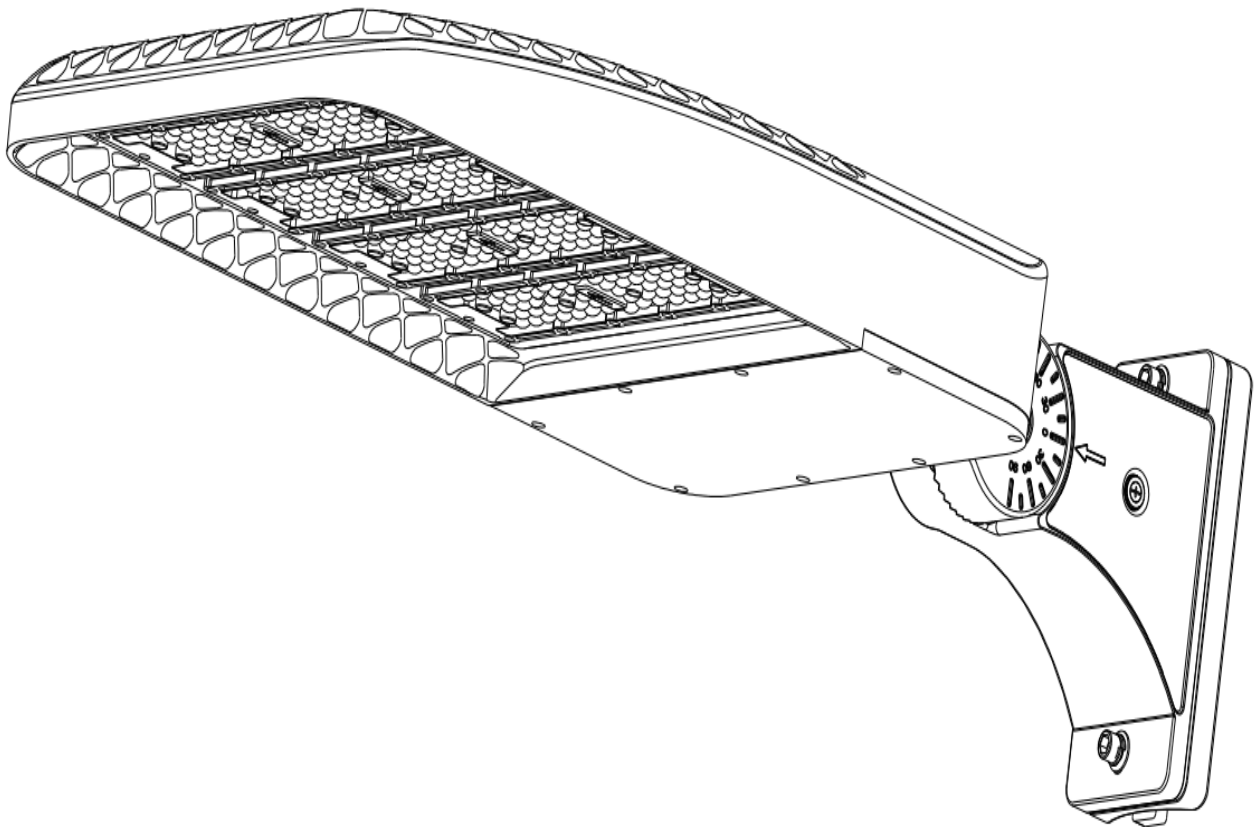


Area Light Fixture

Installation instructions



60W/80W/100W/120W/150W/200W/240W/300W



IP65

LM-79
TM-21



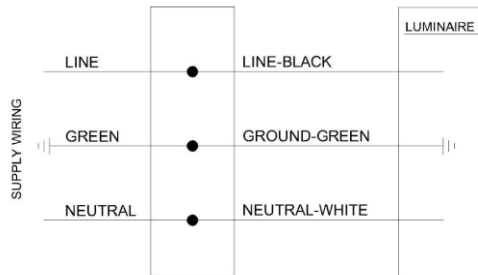
IMPORTANT SAFEGUARDS

When using electrical equipment, basic safety precautions should always be followed including the following:

READ AND FOLLOW ALL SAFETY INSTRUCTIONS

1. **DANGER**—Risk of shock—Disconnect power before installation.
2. This luminaire must be installed in accordance with the NEC or your local electrical code. If you are not familiar with the codes and requirements, consult a qualified electrician.

ELECTRICAL CONNECTIONS

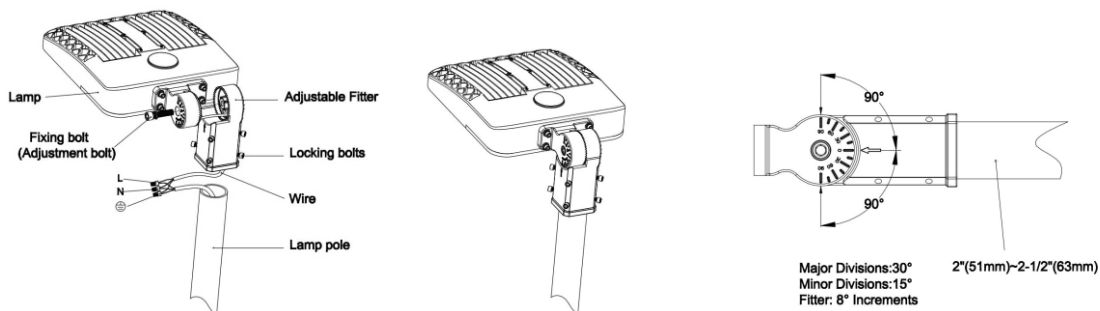


- a. For 100/277V connect the black fixture lead to the voltage supply (for 200/480V wiring)
- b. For 100/277V connect the white fixture lead to the neutral supply (for 200/480V wiring)
- c. Connect the green or green/yellow ground lead to ground.

To install:

Read the installation instructions and choose the way you need to install the luminaire.

NO.1: Slip adjustable fitter mounting



STEP1:

Screw off 6 pcs Locking bolts, and connect the wires.

STEP2:

Slip over the pole, tighten the screws.

STEP3:

According to actual needs, screw off the fixing bolt, then adjust the fixture angle, tighten the fixing bolt.

NO.2: Adjustable straight arm

1. Square pole mount

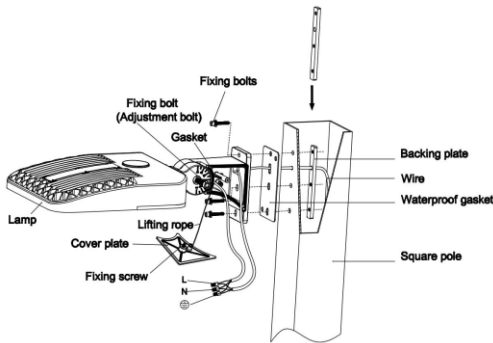


Fig 1

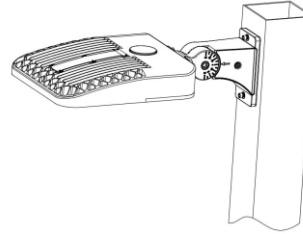


Fig 2

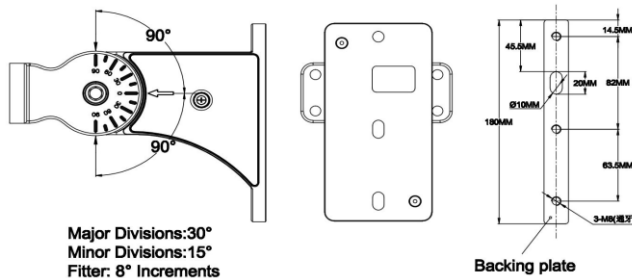


Fig 3

STEP1:

Drilling the hole as the position on the backing plate, (see Fig 3), Screw off the fixing screws on the cover plate, take down the fixing bolts from the backing plate, connect the wires in the bracket.

STEP2:

Fix the adjustable straight arm on the square pole with fixing bolts and backing plate, do not forget the waterproof gasket between the pole and bracket.

STEP3:

Connect the wires, then put the wires in the bracket, tighten the fixing screws on the cover plate.

STEP4:

According to actual needs, screw off the fixing bolt, then adjust the fixture angle, tighten the fixing bolt.

2. Round pole mount

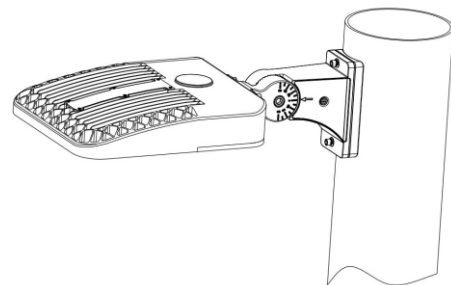
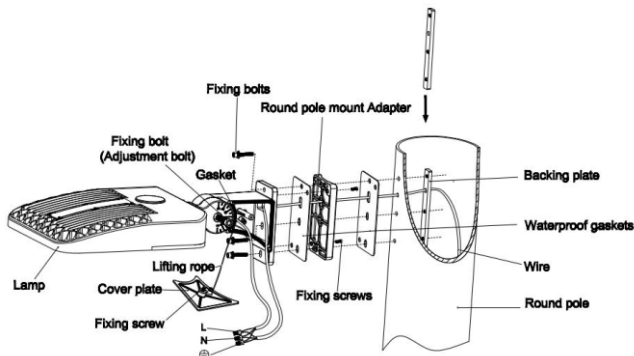


Fig 1

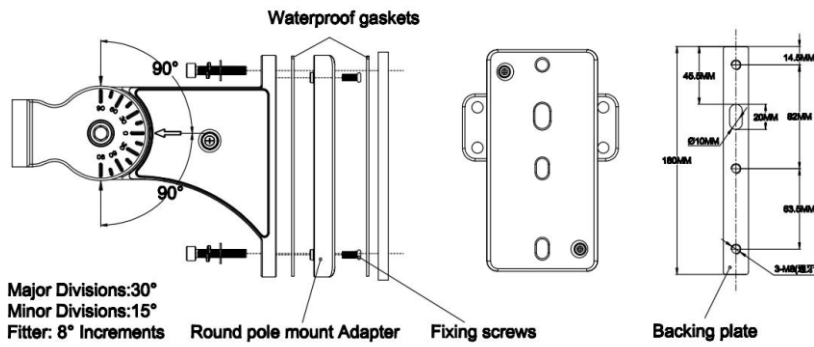


Fig 2

Fig 3

STEP1:

Make sure the round pole mount adapter tightened. Drilling the hole as the position on the backing plate,(see Fig 3),Screw off the fixing screws on the cover plate, take down the fixing bolts from the backing plate, connect the wires in the bracket.

STEP2

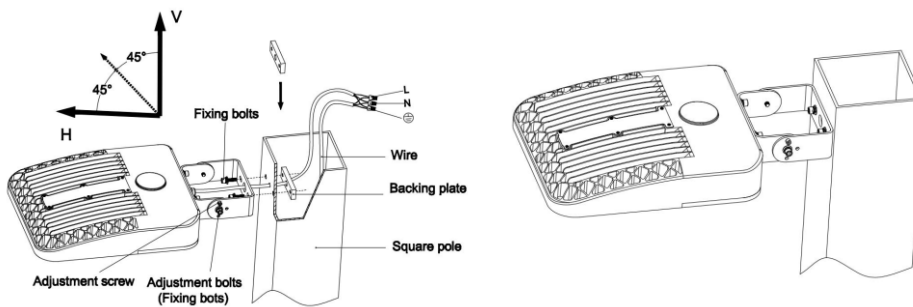
Fix the adjustable straight arm on the square pole with fixing bolts and backing plate, do not forget the waterproof gasket between the pole and bracket.

STEP3: Connect the wires, then put the wires in the bracket, tighten the fixing screws on the cover plate.

STEP4:

According to actual needs, screw off the fixing bolt, then adjust the fixture angle, tighten the fixing bolt.

NO.3: YOKE MOUNT



STEP1

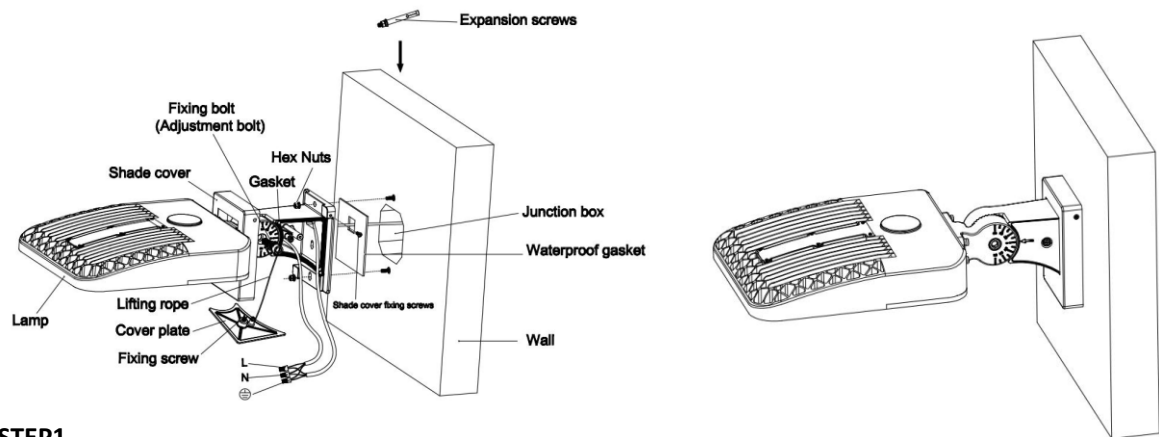
Drilling the hole as the position on the backing plate, fix the fixture on the square pole with fixing bolts and backing plate, then connect the wires.

STEP2

Take down the adjustment screws from bracket, and screw off the bolts, adjust the angle as 45° increment, then install the adjustment screw and tighten the bolts.

NO.4: WALL MOUNT

1. Straight arm mount on wall



STEP1

Referring to the bracket hole position drill holes on Junction box and under the wall, screw off the cover plate's fixing screw, take off the cover plate, put the wires through waterproof ring from the junction box into bracket cavity, then fix the bracket with expansion screw.

STEP2:

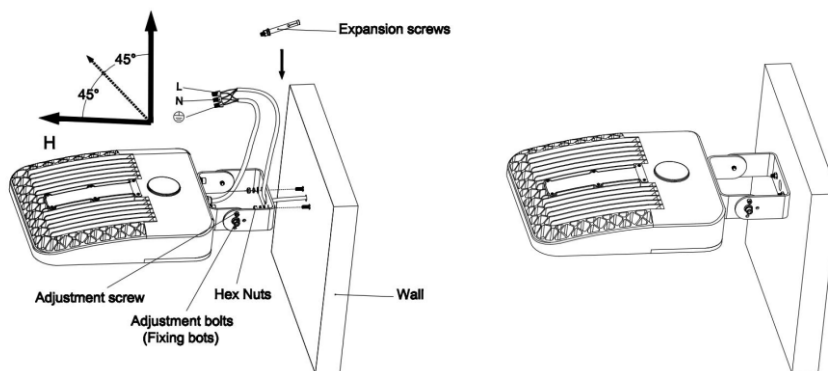
Follow the correct way of wiring, put the wire buried in the bracket cavity, then tighten cover plate's fixing screw.

STEP3:

According to actual needs, screw off the fixing bolt, then adjust the fixture angle, tighten the fixing bolt. (Attention: When screw off the fixing bolt, just can adjust the angle can be, prevent the fixing bolt too loose to fall.)

Remark: Major divisions: 30° , Minor divisions: 15° , Fitter: 8° increments。

2. YOKE MOUNT ON WALL



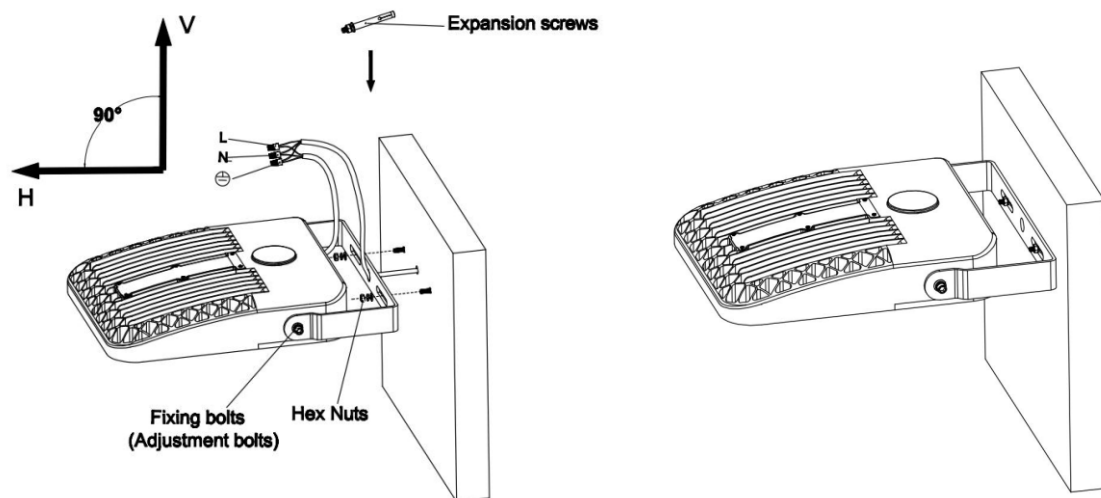
STEP1

According to the bracket hole position, drill holes on the wall, and fix the bracket on the wall through expansion screw. Then connect the wires in correction way.

STEP2

Take off the installation bracket's adjustment screw , screw off the adjustment bolt, adjust the bracket angle in increments of 45° ,after it install and tighten the adjustment screw.

3.U-bracketmount on wall



STEP1

According to the bracket hole position, drill holes on the wall, and fix the bracket on the wall through expansion screw. Then connect the wires in correction way.

STEP2

Screw off the fixing bolts, according to the situation adjust the light body angle, then tighten the fixing bolts.