

Product Description

The Aero series is the go to high bay for manufacturing or warehousing in extreme environments. This washdown fixture is IP66 rated for high pressure water jets. The light weight magnesium alloy fixture housing allows for one man installation. With induction cooling, high impact tempered glass lens, Nichia LEDs and a quality power source, this is an industrial fixture that will last for years to come.

> Standard Ship Product - 30 Day Lead Time

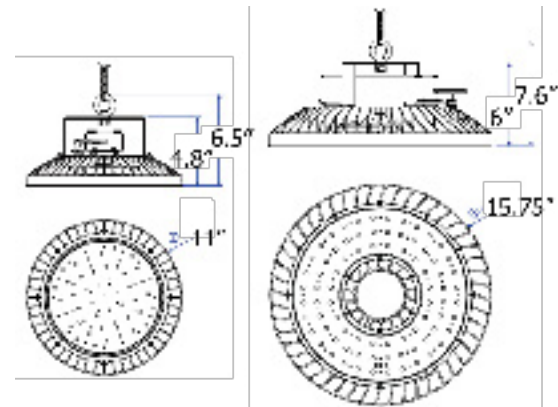
Project:		Type:
Location:		
Prepared By:		Date:
Comments:		

Performance Summary

- Nichia 757G LEDs with high efficacy >125 Lm/W
- Included 0-10V dimmable Inventronics power source
- Advanced magnetic induction radiant cooling system
- Unique appearance with innovative heatsink design
- National listing lab tested with Type V 110 or 50 degree IES distribution
- Excellent optical presentation for multiple applications
- Polycarbonate refractor and bottom cover available upon request
- Brilliant 4000K or 5000K color temperature
- Acid-alkali and weather resistant optical tempered glass
- Designed for harsh temperature and high humidity
- Resistant to impact and seismic activities
- Lightweight magnesium alloy fixture housing
- Solid State with high-shock and vibration resistance
- Instant on and off without delay or re-strike
- Polyester powdercoat finish with stainless hardware
- Excellent resistance to corrosion, UV degradation and abrasion
- Durable bracket with multiple mounting options
- 5 foot attached power cord whip extended through waterproof grommet
- High CRI - RA>80 for commercial applications
- No lead, mercury, UV or IR radiation
- Short circuit, over current, over voltage, over temp protection
- Low Tj for best lumen depreciation and extended life span
- Operating temperature: -40 to 50 degrees celsius
- Voltage: 100-277 VAC or 249-528V
- IP66 washdown rated for indoor or outdoor applications
- 100,000 hour LED life
- Certifications: CE, RoHS, cUL, UL, DLC
- 5 year system warranty

AERO HB SERIES

Industrial Quality with Multiple Mounting Options
Low Profile LED Dimmable Luminaire



Models:

- VDWCH060: 98 LEDs - 60W - 7600 Lm - 11" Round - 6.2 lbs
- VDWCH120: 196 LEDs - 120W - 15,600 Lm - 15.7" Round - 11 lbs
- VDWCH150: 224 LEDs - 150W - 18900 Lm - 15.7" Round - 11 Lbs
- VDWCH200: 308 LEDs - 200W - 25300 Lm - 15.7" Round - 11 Lbs

Ordering Information:			Part Number:		Ordering Example: VDWCH060-30-50-UNV1- BK-ND-HM		
Family	CCT	Optic	Voltage	Finish	Dimming	Mounting	Accessories*
VDWCH060 VDWCH120 VDWCH150 VDWCH200	40 - 4000K 50 - 5000K	50 - Type V 50 Degree 110 - Type V 110 Degree	UNV1 - 100-277V UNV2 - 280-528V*	BK - Black LG - Light Gray CS - Custom*	ND - No Dim DM - 0-10V Dim	TR - 1/2" NPT Threaded Conduit Mount AR - 1/2" NPT 80 Degree Adjustable HM - Integrated Eyelet SM - Surface Mount Bracket AM - Surface Mount 80 Degree Adjustable	PC3 - 3' Power Cord Extension with IP65 Connector (Field Installed) PC6 - 6' Power Cord Extension with IP65 Connector (Field Installed) MS - Motion Sensor



Vivid Leds, Inc.
PO BOX 9
Sellersburg, IN 47172
800-974-3570
www.vividleds.us

Dimensions, specifications, and product pictures are subject to change without notice.



E3

Revised 2.28.18

The product on this page is a manufactured to order, non-stocking item. This product cannot be returned for refund or credit.