

## Product Description

The Industry series is a general purpose wall pack luminaire providing optically controlled wide spread light distribution designed to replace HID lighting systems up to 100w MH. Typical wall mounted lighting applications include retail centers, industrial parks, schools and universities, public transit and airports, office buildings and medical facilities. Mounting heights of 8 to 15 feet can be achieved.

> Quick Ship - In Stock, Ready to Ship

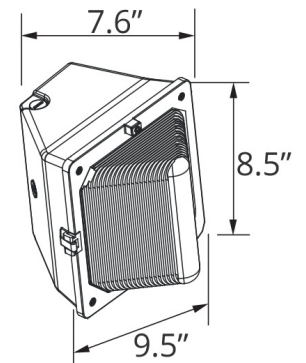
Project:		Type:
Location:		
Prepared By:		Date:
Comments:		

## Performance Summary

- Samsung LEDs with high efficacy >135 Lm/W
- USA assembled product with quick warranty support
- Standard design with modern components, excellent choice for retrofitting
- Patented heat dissipation design for optimum efficiency
- National listing lab tested to IES standards with Type IV optic
- High lumen maintenance exceeds DOE requirements
- Solid State with high-shock and vibration resistance
- Aluminum LED boards with copper tracings for best thermal management
- LED array manufactured using a state-of-the-art SMT machine
- Molded prismatic borosilicate glass lens with high quality gasket
- A360 extruded ingot die-cast housing and ballast box
- DuPont textured architectural bronze powdercoat finish
- Chromate conversion coating for long lasting appearance
- Custom housing colors available upon request
- 1/2" coin plugs with o-rings for conduit and photocell on two sides and back
- Mounts by 1/2" surface conduit or directly over a 4" recessed outlet box
- Rust resistant stainless steel hardware with durable nickel-plating
- Fin heatsinks for best heat dissipation and long life
- High CRI - RA>83 enhances original colors
- Many accessories available from cutoffs to wire guards
- 1-10V dimmable driver with surge protection
- Fast turn on with no warm up or cold start issues
- Contains no mercury, lead, infrared or UV radiation and cool to the touch
- Operating temperature: -40 to 50 degrees celsius
- Samsung chip platform with completed 6,000 hour LM-80 test
- 182,000 hour LED life @ L70 tested at 25 degrees celsius
- Certifications: CE, RoHS, CSA - IP65 outdoor rated
- 5 year system warranty

## INDUSTRY SG SERIES

Small Glass Lens Wall Pack  
LED Dimmable Luminaire



## Models:

- WDWP12QFR: 23W - 3151 Lm - 700mA - B:1, U:3, G:3

Ordering Information:				Part Number:		
*Adder Applies		**Adder Applies. Extended Lead Time May Apply.			Ordering Example: WDWP12QFR-50-S5C-V27-BZ-ND	
Family	CCT	Optic	Voltage	Finish	Dimming	Accessories*
WDWP12QFR	30 - 3000K** 40 - 4000K** 50 - 5000K	S4C - Type IV Short	V27 - 120-277V V28 - 347/480V*	BZ - Bronze CS - Custom*	ND - Non Dim DM - 1-10V Dim	SF - Single Fuse DF - Double Fuse SP - 20kA Surge Protection 120-277VAC PC1 - Button Photocell 120V PC2 - Button Photocell 250-305V FC - Stamped Aluminum Full Cutoff GS - Stamped Aluminum Glare Shield MP - Die Cast Wall Mount Plate & Weatherproof Gasket WG - Stainless Steel Wire Guard



Vivid Leds, Inc.  
PO BOX 9  
Sellersburg, IN 47172  
800-974-3570  
www.vividleds.us

Dimensions, specifications, and product pictures are subject to change without notice.

The product on this page is a manufactured to order, non-stocking item. This product cannot be returned for refund or credit.

D5

Revised 3.24.18