

## Product Description

The Maize series is an exceptional product with a track record of 7 years in the field. We use the latest technology and continue to raise the bar in terms of housing quality, lamp efficacy, and overall extended lifespan. Using only top quality components such as Rubycon capacitors, explosion proof materials, a water resistant cover, and LG LEDs, the Maize series is a market leader for commercial applications.

> Standard Ship - 30 Day Lead Time

Project:		Type:
Location:		
Prepared By:		Date:
Comments:		

## Performance Summary

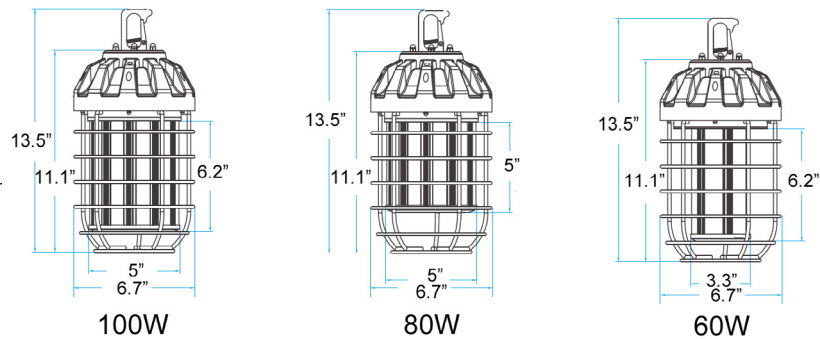
- LG 5630 SMD LED with high efficacy >120 Lm/W
- National listing lab tested to IES standards
- High output and energy efficient, perfect for work sites
- Up to 80% energy savings compared to HID
- Low power consumption is better suited when using generators
- Excellent solution for replacing temporary lights up to 400W HID
- Explosion proof housing material suitable for a construction area
- Flame retardant hardened base with iron wire guard for drop protection
- Compact and lightweight compared to traditional fixtures
- Easy installation with durable cold forged steel 66Lb clasp hook
- Quick release design allows fixture to be portable and flexible
- 360 degree omnidirectional output provides complete coverage
- Internal isolated driver for best heat dissipation
- Driver and heatsink silicone treated for waterproofing and insect reduction
- Aviation grade 6063 aluminum heatsink dissipates heat without a fan
- Fast turn on, no warm up or cold start issues
- Integrative LED design for heatsink and housing
- Polycarbonate lens cover provides dust and water protection
- Crystal clear lens for maximum lumen output
- Rubycon capacitance power and 6KV surge built-in for best protection
- Contains no mercury or lead and cool to the touch
- No infrared or UV radiation
- Generates low heat, reducing your HVAC loads
- High CRI - RA>80 enhances original colors
- Operating temperature: -40 to 60 degrees celsius
- Includes 3' attached power cord with grounded plug
- IP64 rated for indoor or limited outdoor use
- 100,000 hour LED life
- Certifications: CE, PSE, FCC, TUV, RoHS, SAA, cUL, UL, DLC
- 3 year system warranty

## Models:

- WDS36060: 96 LEDs - 60W - 7200 Lm - 5.8 Lbs
- WDS36080: 132 LEDs - 80W - 9400 Lm - 7.1 Lbs
- WDS36100: 168 LEDs - 100W - 12100 Lm - 7.4 Lbs

## MAIZE TEMPORARY SERIES

LED Temporary Light



## Ordering Information:

Part Number:

\*MOQ 100 UNITS

Ordering Example: WDS36060-30-T5-120-CL-YL

Family	CCT	Optic	Voltage	Lens Cover	Housing Base	Accessories*
WDS36060 WDS36080 WDS36100	30 - 3000K 40 - 4000K 50 - 5000K 57 - 5700K	T5 - Type V 360 Degree	120 - 120 VAC	CL - Clear DF - Diffused	OR - Orange CS - Custom*	SC - Safety Cable



Vivid Leds, Inc.  
PO BOX 9  
Sellersburg, IN 47172  
800-974-3570  
www.vividleds.us

Dimensions, specifications, and product pictures are subject to change without notice.

### Cautions:

Risk of electric shock  
Do not use directly exposed to water  
This fixture is non-dimmable

D28

Revised 2.4.18