

Product Description

The Axis series flood light luminaire is available with a knuckle mounting feature and two wattages designed to replace HID lighting systems up to 175w. Typical lighting applications include retail centers, industrial parks, schools and universities, public transit and airports, office buildings and medical facilities. Mounting can be accomplished using ground attachment accessories and up to heights of 12 feet.

> Quick Ship - In Stock, Ready to Ship

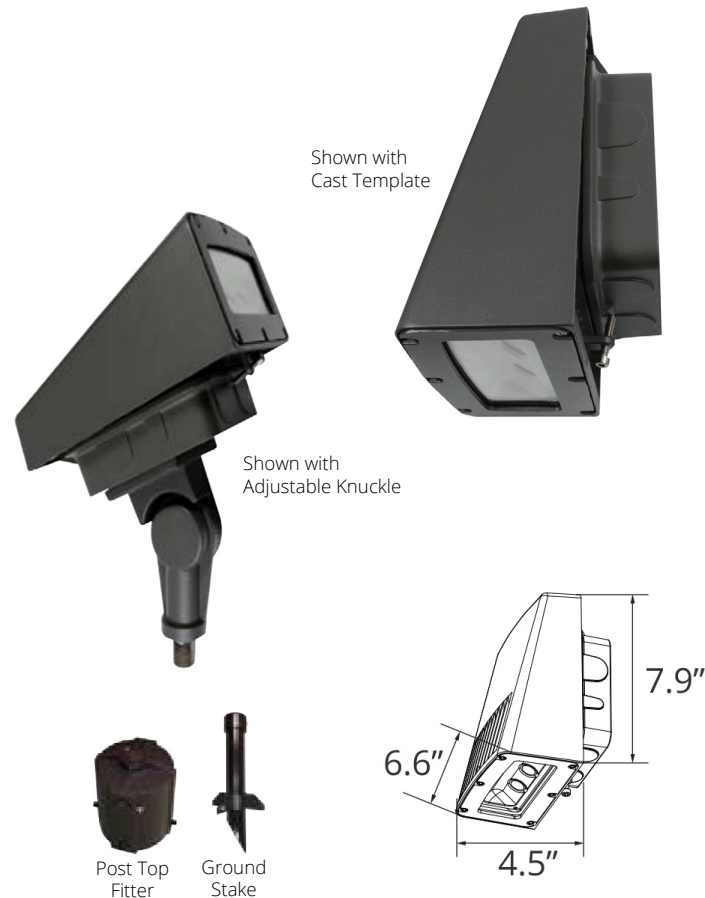
Project:		Type:
Location:		
Prepared By:		Date:
Comments:		

Performance Summary

- Samsung COB LEDs with high efficacy >115 Lm/W
- USA assembled product with quick warranty support
- Modern, architectural design with a streamlined appearance
- Patented heat dissipation design for optimum efficiency
- National listing lab tested to IES standards with NEMA optics
- High lumen maintenance exceeds DOE requirements
- Solid State with high-shock and vibration resistance
- Aluminum LED boards with copper tracings for best thermal management
- LED array manufactured using a state-of-the-art SMT machine
- Tempered clear borosilicate flat glass lens
- A360 extruded ingot die-cast housing and front frame
- DuPont textured architectural bronze powdercoat finish
- Chromate conversion coating for long lasting appearance
- Excellent resistance to corrosion, UV degradation and abrasion
- Cast-in template for mounting directly over a 4" recessed outlet box
- Accessible to mount by 1/2" surface conduit
- Rust resistant stainless steel hardware with durable nickel-plating
- High CRI - RA>80 enhances original colors
- 1/9th micro color binning enables tight color control
- Hot color targeting ensures color is within ANSI bin compliance
- 1-10V dimmable driver with surge protection option
- Fast turn on with no warm up or cold start issues
- Contains no mercury, lead, infrared or UV radiation and cool to the touch
- Operating temperature: -40 to 50 degrees celsius
- Samsung chip platform with completed 6,000 hour LM-80 test
- 76,000 hour LED life @ L70 tested at 25 degrees celsius
- Certifications: CE, RoHS, CSA, DLC - IP65 outdoor rated
- 5 year system warranty

AXIS X1 SERIES

Multiple Applications and Mounting Options
LED Dimmable Luminaire



Models:

- WDTV21FR: 2 COB LEDs - 20W - 2304 Lm - Type III 110 Degree Horizontal x 100 Degree Vertical, NEMA 7H x 6V
- WDTV22FR: 2 COB LEDs - 40W - 4034 Lm - Type II 100 Degree Horizontal x 90 Degree Vertical, NEMA 7H x 6V



Ordering Information:

Part Number:

*Adder Applies

**Adder Applies. Extended Lead Time May Apply.

Ordering Example: WDTV21FR-41-S5C-V27-BZ-ND

Family	CCT	Optic	Voltage	Finish	Dimming	Accessories*
WDTV21FR WDTV22FR	30 - 3000K** 41 - 4100K 50 - 5000K** R - Red* G - Green* B - Blue* A - Amber*	S5C - NEMA 7Hx6V	V27 - 120-277V V12 - 12VDC	BZ - Bronze CS - Custom*	ND - Non Dim DM - 1-10V Dim	SF - Single Fuse DF - Double Fuse SP - 20kA Surge Protection 120-277VAC P10 - 120V Pencil Photocell 1/2" CdS P12 - 208-277V Pencil Photocell 1/2" CdS KN - NPS 1/2" Adjustable Knuckle FLP - Post Top Fitter for 2 3/8" to 3 1/2" Poles GS - Heavy Duty Ground Stake with 1/2" NPS Threads



Vivid Leds, Inc.
PO BOX 9
Sellersburg, IN 47172
800-974-3570
www.vividleds.us

Dimensions, specifications, and product pictures are subject to change without notice.

The product on this page is a manufactured to order, non-stocking item. This product cannot be returned for refund or credit.

D19

Revised 3.24.18