

Product Description

The Axis series is a ARRA compliant wall sconce luminaire using the latest Samsung LEDs. From benchmarking a minimum 104 degree F ambient during thermal testing, to custom designed LED arrays for each luminaire individually, to using the best housing materials and coatings, each aspect has been taken into careful consideration to ensure many years of trouble-free service.

> Quick Ship - In Stock, Ready to Ship

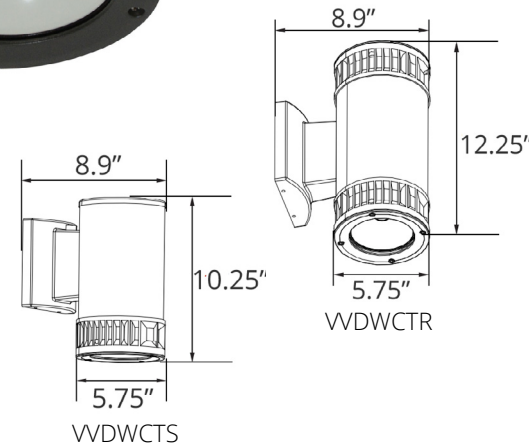
Project:		Type:
Location:		
Prepared By:		Date:
Comments:		

Performance Summary

- Samsung COB LEDs with high efficacy >115 Lm/W
- USA assembled product with quick warranty support
- Modern, architectural design with a streamlined appearance
- Patented heat dissipation design for optimum efficiency
- National listing lab tested to IES standards with NEMA optics
- High lumen maintenance exceeds DOE requirements
- White reflector built around the LED for enhanced light distribution
- Solid State with high-shock and vibration resistance
- Aluminum LED boards with copper tracings for best thermal management
- LED array manufactured using a state-of-the-art SMT machine
- Tempered clear borosilicate flat glass lens
- A360 extruded ingot die-cast housing, front frame and ballast box
- DuPont textured architectural bronze powdercoat finish
- Chromate conversion coating for long lasting appearance
- Mounts directly over a 4" recessed outlet box
- Fixture can be mounted facing up or down
- Rust resistant stainless steel hardware with durable nickel-plating
- Fin heatsinks for best heat dissipation and long life
- High CRI - RA>80 enhances original colors
- 1-10V dimmable driver with surge protection option
- Fast turn on with no warm up or cold start issues
- Contains no mercury, lead, infrared or UV radiation and cool to the touch
- Operating temperature: -40 to 50 degrees celsius
- Samsung chip platform with completed 6,000 hour LM-80 test
- 89,000 hour LED life @ L70 tested at 105 degrees celsius
- Certifications: CE, RoHS, CSA - IP65 outdoor rated
- 5 year system warranty

AXIS UP/DOWN SERIES

Glass Lens Up Down Light
LED Dimmable Luminaire



Models:

- VDWCTS: 20W - 2364 Lm - Up or Down Light - 525mA
- VDWCTR: 40W - 4577 Lm - Up and Down Light - 525mA

Ordering Information:				Part Number:		
*Adder Applies		**Adder Applies. Extended Lead Time May Apply. Available in S5P Optic Only.		Ordering Example: VDWCTR-41-S5C-V27-BZ-ND		
Family	CCT	Optic	Voltage	Finish	Dimming	Accessories*
VDWCTS VDWCTR	30 - 3000K** 41 - 4100K 50 - 5000K** R - Red** G - Green** B - Blue**	S5C - NEMA 6Hx6V with 70 Degree Reflector* S5P - NEMA 6Hx6V with 100 Degree Reflector S4P - NEMA 4Hx4V with 30 Degree Reflector*	V27 - 120-277V	BZ - Bronze BK - Black CS - Custom*	ND - Non Dim DM - 1-10V Dim	SF - Single Fuse DF - Double Fuse SP - 20kA Surge Protection 120-277VAC PC1 - Button Photocell 120V PC2 - Button Photocell 250-305V BU - Battery Backup 90 Minutes



Vivid Leds, Inc.
PO BOX 9
Sellersburg, IN 47172
800-974-3570
www.vividleds.us

Dimensions, specifications, and product pictures are subject to change without notice.

The product on this page is a manufactured to order, non-stocking item. This product cannot be returned for refund or credit.

D18

Revised 3.24.18