

Product Description

This canopy has a slim and low profile design which provides safe and a visually appealing lighting experience. The luminaire can be mounted directly to the ceiling with a mounting plate for contractors to work safely and easily in confined spaces. It is a perfect solution to replace low output HID with a benefit of low maintenance cost.

> Quick Ship - In Stock, Ready to Ship

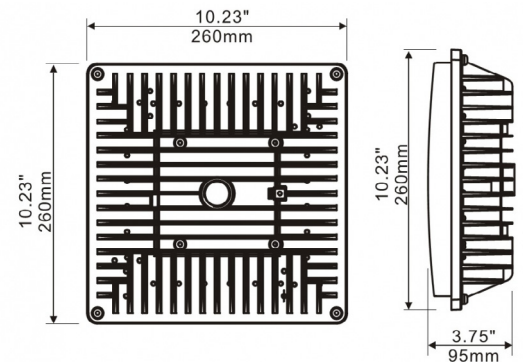
Project:		Type:
Location:		
Prepared By:		Date:
Comments:		

Performance Summary

- Nichia LEDs with high efficacy >105 Lm/W
- Type V IES 120 degree beam angle
- Great light output from a small housing footprint
- Standard design with modern components, excellent choice for retrofitting
- High lumen maintenance exceeds DOE requirements
- National listing lab tested to IES standards with Type V optic
- Solid State with high-shock and vibration resistance
- Corrosion resistant die-cast aluminum housing
- Architectural bronze UV resistant powder coat finish
- Cooling fin release for best heat dissipation
- Integrated one piece heatsink for better cooling
- Complete stainless steel bracket and hardware
- Contractor friendly mounting plate
- Impact resistant sandblasted polycarbonate prism lens
- Silicone rubber gasket - No leakage
- High reflectance aluminum reflector
- Low Tj for long life and low lumen depreciation
- No infrared or UV radiation
- Contains no mercury or lead and cool to the touch
- Commercial CRI: RA>75
- Operating temperature: -35 to 55 degrees celsius
- IC controlled LED circuits
- 100,000 hour LED life
- IP65 rated for indoor or outdoor locations
- Certifications: CE, RoHS, cUL, UL
- 5 year system warranty

DESIGN CP SERIES

Low Profile Rugged Housing with Mounting Plate
LED Luminaire



Models:

- WD4CP30L: 30W - 2953 Lm - 6.4 Lbs
- WD4CP40L: 40W - 4320 Lm - 6.4 Lbs
- WD4CP58L: 58W - 5540 Lm - 6.4 Lbs

Ordering Information:				Part Number:		
*Adder Applies				Ordering Example: VVD4C30L-50-S5-UNV-BZ-SM		
Family	CCT	Optic	Voltage	Finish	Mounting	
WD4CP30L WD4CP40L WD4CP58L	50 - 5000K	S5 - Type V 120 Degree	UNV - 100-277V	BZ - Bronze	SM - Surface Mount	



Vivid Leds, Inc.
PO BOX 9
Sellersburg, IN 47172
800-974-3570
www.vividleds.us

Dimensions, specifications, and product pictures are subject to change without notice.

The product on this page is a manufactured to order, non-stocking item. This product cannot be returned for refund or credit.

C4

Revised 3.19.18