

## Product Description

The Vega2 M series is an ideal solution for area/site/flood/high bay/canopy/wall pack applications. Adding an optional motion sensor, photocell, or dimming allows for even greater energy savings. With a minimum 100µm corrosion resistant polyester powder coating, unmatched thermal management, and proven lumen maintenance ratio, the VEGA2 M is an all-around maintenance-free luminaire.

> Standard Ship Product - 30 Day Lead Time

Project:		Type:
Location:		
Prepared By:		Date:
Comments:		

## Performance Summary

- Philips Lumileds Luxeon LEDs with high efficacy >110 Lm/W
- Intense light output - up to 100,987 Lumens
- National listing lab tested with 17 light distributions
- Modular design for easy maintenance or upgrade
- Excellent optical presentation for multiple applications
- Stainless hardware with protective lens cover
- Solid State with high-shock and vibration resistance
- Instant on and off without delay or re-strike
- Corrosion resistant polyester powdercoat finish
- Die-cast aluminum housing with 1000 hour salt spray test
- Multiple mounting options for many applications
- High CRI - RA>73 enhances all original colors
- Philips Xitanium 1-10V dimming power supply
- 3' power cord whip for quick installation
- Wago & Molex connectors, 10KA surge protection
- Operating temperature: -40 to 50 degrees celsius
- 100,000 hour LED life - 700mA drive current
- CE, PSE, IK08, ErP, RoHS, UL, cUL - IP67 rated
- 5 year system warranty / 10 year optional

## VEGA2 M SERIES

Modular Design with Multiple Mounting Options

LED Dimmable Luminaire



## Models:

- WVD2M018: 18 LEDs - 30W - 3394 Lm
- WVD2M036: 36 LEDs - 60W - 6902 Lm
- WVD2M054: 54 LEDs - 90W - 9982 Lm
- WVD2M072: 72 LEDs - 120W - 13377 Lm
- WVD2M090: 90 LEDs - 150W - 16672 Lm
- WVD2M108: 108 LEDs - 180W - 20168 Lm
- WVD2M126: 126 LEDs - 210W - 23455 Lm
- WVD2M144: 144 LEDs - 240W - 26653 Lm
- WVD2M162: 162 LEDs - 270W - 29832 Lm
- WVD2M180: 180 LEDs - 300W - 33206 Lm
- WVD2M216: 216 LEDs - 450W - 50133 Lm
- WVD2M288: 288 LEDs - 600W - 66268 Lm
- WVD2M360: 360 LEDs - 750W - 82736 Lm
- WVD2M432: 432 LEDs - 900W - 100987 Lm

## Ordering Information:

*Adder Applies				Part Number:	Ordering Example: WVD2M018-30-T1M-V27-BK-ND-SAT		
Family	CCT	Optic		Voltage	Finish (RAL)	Dimming	Mounting***
WVD2M018 WVD2M036 WVD2M054 WVD2M072 WVD2M090 WVD2M108 WVD2M126 WVD2M144 WVD2M162 WVD2M180 WVD2M216 WVD2M288 WVD2M360 WVD2M432	30 - 3000K 40 - 4000K 50 - 5000K 57 - 5700K	T1M - Type I Medium T2M - Type II Medium T3M - Type III Medium T4S - Type IV Short T5S - Type V Short T5M - Type V Medium T5U - Type V Short T5V - Type V Short T5D - Type V Diffused	T1S - Type 1 Short T2S - Type II Short T3L - Type III Long T4M - Type IV Medium T5X - Type V Wide T5R - Type V Reflector T5L - Type V Long T5W - Type V Short	V27 - 100-277V V48 - 347-480V**	9011 - Graphite Black  7004 - Signal Grey  9010 - Pure White  8014 - Sepia Brown	ND - No Dim D1 - 1-10V Dim* DL - Dali Dim*	SAT - Static Side Arm Shoebox WMW - Static Wall Mount SFL - Slipfitter for Tenon Mount TMC - Horizontal Yoke Bracket TMU - Vertical Yoke Bracket SMD - Surface Mount Bracket RME - Recessed Mounting Kit SPD - Suspension Kit with Eyelets ARA - 2 3/8" OD Tenon Mount ALE - 2 3/8" OD Tenon Mount XL ALD - Horizontal Yoke Bracket XL SPH - Yoke Bracket with Hook Mount

\*\*\*See mounting specifications below for available models.

\*\*Contact us for a custom quote and specifications.



Vivid Leds, Inc.  
PO BOX 9  
Sellersburg, IN 47172  
800-974-3570  
www.vividleds.us

Dimensions, specifications, and product pictures are subject to change without notice.

## Specifications:

The Vega2 Modular LED Lens System features a durable and abrasion resistant polycarbonate lens housed within a modular design. With a high color rendering index of 73 or greater, all original colors are realized. Vega2 fixtures demonstrate first class quality within a beautiful, modern appearance. They are national listing lab tested with LM-79 and LM-80 reports to IESNA standards.

Designed with a purpose, the Vega2 features unprecedented lighting-class brightness, efficacy, lifetime and quality of light. These lighting-class features enable the Philips Luxeon LED to replace many traditional light sources and save money with energy-efficient light and long lifetimes. The Luxeon LED is designed with the highest possible efficacy and light output from an industry standard package. With hot testing and color binning, every Luxeon LED is tested and specified at real world operating conditions — 85°C. The exceptional color control enables design simplicity and ensures confidence in color consistency from LED to LED. The superior quality of light, light output, and real world efficacy enable leading performance and efficient solution development in a wide variety of outdoor and industrial lighting segments. This, coupled with a high performance power supply and extremely durable housing, puts the Vega2 at the top of its class.

Conforming to ISO9001:2000 Quality Management System, the Vega2 products maintain CE, RoHs, UL and cUL Certifications. Utilizing Philips LEDs, Philips drivers, and a frame built to withstand extreme weather, you will be confident with your purchase for years to come. Start saving up to 80% system energy over your existing HID fixture. Utilize Vega's dimming capabilities for even greater results. The Vega2 M shines bright above the rest.

### Housing and Finish:

- Human-centered modular design for easy installation, replacement and maintenance
- Aerodynamic styling
- Separable installation method
- Complies with Dark Sky requirements when mounted horizontally to the ground
- Heavy grade die-cast aluminum alloy construction built for extreme weather and durability
- Certified according to 1000h salt-spray testing standard ASTM B117 / ISO 9227:2012
- Minimum 100µm corrosion resistant polyester powder coating
- Easy access power door assembly for quick installation and maintenance
- Open air modular heatsink ventilation design for best possible heat dissipation and optimum efficiency
- High shock and vibration resistance approved - 2G vibration test IEC 60598-1
- Flexible drive allocation options for different regions
- Spaces between modules prevent debris build-up by water-flow self-cleaning

### LED and Lens Assembly:

- High efficacy Philips Lumileds Luxeon LEDs >110 Lm/W
- Unmatched thermal management and proven lumen maintenance ratio.
- Improved illumination performance and excellent optics control
- Lens reflector built directly over the LEDs for accurate beam angle and photometrics
- Durable and abrasion resistant polycarbonate lens with modular design
- Instant on or off without delay or re-strike
- High CRI - RA>73 enhances original colors
- Contains no Mercury or Lead
- No infrared or UV radiation resulting in insect reduction
- National listing lab tested with LM-79 and LM-80 reports to IESNA standards
- Lumen depreciation is L70 at 60,000 hours

### Electrical:

- Philips Advance Xitanium Class I dimmable drivers for ultimate quality and long life
- Optimized life expectancy of driver is 75,000 hours
- 1-10V dimming option with DALI interface
- Lead-wires are 18AWG 105C/600V solid copper
- Standard voltage range from 100-277 VAC; 347-480 VAC optional
- Class "A" sound rating
- Max surge protection of 10kv. IEEE/ANSE C62412
- System power factor is >99% and THD <20%
- Thermal protection reduces the LED output if case temperature exceeds 185 degrees fahrenheit
- EMI/RFI: Title 47 CFR part 15 Class A
- LED driver complies with UL standard UL1012

### Certifications and Warranty:

- CE, PSE, IK08, SAA, ErP, RoHS, UL, cUL - IP67 rated, suitable for wet locations per UL 1598
- All components are IP67 rated according to IEC60598
- RoHS compliant
- Operating temperature: -40 to 55 C
- Operating humidity: 10% to 95%
- 5 year system warranty / 10 year optional



Vivid Leds, Inc.  
PO BOX 9  
Sellersburg, IN 47172  
800-974-3570  
www.vividleds.us

Dimensions, specifications, and product pictures are subject to change without notice.

## Mounting:

### SAT - Static Side Arm Shoebox Bracket

- Side arm bracket attaches directly to a tenon preserving the classic shoebox style
- Available in many different IES optics
- Stainless steel hardware to ensure long life
- Dimming and electrical cable included, pre-wired, extended outside the unit for quick installation
- Terminal block and quick wire disconnects pre-wired
- Motion sensor and photocell capable

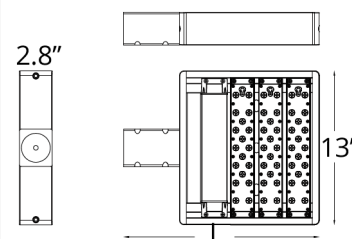
#### Available Models:

- WVD2M018: 18 LEDs - 30W - 3394 Lm - 11.8" - 12.6 Lbs - EPA .35 sq.ft
- WVD2M036: 36 LEDs - 60W - 6902 Lm - 14.2" - 13.9 Lbs - EPA .39 sq.ft
- WVD2M054: 54 LEDs - 90W - 9982 Lm - 16.5" - 16.1 Lbs - EPA .42 sq.ft
- WVD2M072: 72 LEDs - 120W - 13377 Lm - 18.9" - 17.5 Lbs - EPA .46 sq.ft
- WVD2M090: 90 LEDs - 150W - 16672 Lm - 21.3" - 19.1 Lbs - EPA .53 sq.ft
- WVD2M108: 108 LEDs - 180W - 20168 Lm - 26" - 23.4 Lbs - EPA .56 sq.ft
- WVD2M126: 126 LEDs - 210W - 23455 Lm - 28.4" - 24.7 Lbs - EPA .61 sq.ft
- WVD2M144: 144 LEDs - 240W - 26653 Lm - 30.7" - 25.9 Lbs - EPA .65 sq.ft



#### Applications:

- Roadways
- Streets
- Parking Lots
- Security Lighting
- Pathways



### SFL - Incorporated Slipfitter for Tenon Mount

- Adjustable slipfitter, lighting fixtures can be mounted onto a 2 3/8" (60mm) O.D. tenon
- Stainless steel hardware to ensure long life
- Available in many different IES optics
- Dimming and electrical cable included, pre-wired, extended outside the unit for quick installation
- Terminal block and quick wire disconnects pre-wired
- Motion sensor and photocell capable

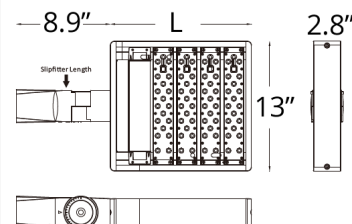
#### Available Models:

- WVD2M018: 18 LEDs - 30W - 3394 Lm - 11.8" - 14.4 Lbs - EPA .35 sq.ft
- WVD2M036: 36 LEDs - 60W - 6902 Lm - 14.2" - 15.6 Lbs - EPA .45 sq.ft
- WVD2M054: 54 LEDs - 90W - 9982 Lm - 16.5" - 17.8 Lbs - EPA .48 sq.ft
- WVD2M072: 72 LEDs - 120W - 13377 Lm - 18.9" - 19.3 Lbs - EPA .51 sq.ft
- WVD2M090: 90 LEDs - 150W - 16672 Lm - 21.3" - 20.8 Lbs - EPA .57 sq.ft
- WVD2M108: 108 LEDs - 180W - 20168 Lm - 25.9" - 25.2 Lbs - EPA .62 sq.ft
- WVD2M126: 126 LEDs - 210W - 23455 Lm - 28.4" - 26.5 Lbs - EPA .72 sq.ft
- WVD2M144: 144 LEDs - 240W - 26653 Lm - 30.7" - 27.8 Lbs - EPA .82 sq.ft



#### Applications:

- Roadways
- Streets
- Parking Lots
- Security Lighting

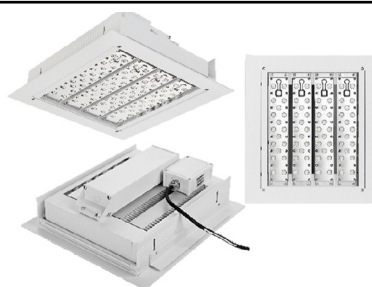


### RME - Recessed Mounting Kit

- Mounting bracket fits into the ceiling
- Mounting clips hold the fixture inside the bracket
- Dimming and electrical cable included, pre-wired, extended outside the unit for quick installation
- Available in many different IES optics
- Terminal block and quick wire disconnects pre-wired
- Detailed mounting instructions available
- Motion sensor and photocell capable

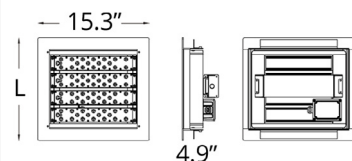
#### Available Models:

- WVD2M018: 18 LEDs - 30W - 3394 Lm - 11.7" - 13.5 Lbs
- WVD2M036: 36 LEDs - 60W - 6902 Lm - 11.7" - 13.5 Lbs
- WVD2M054: 54 LEDs - 90W - 9982 Lm - 11.7" - 13.5 Lbs
- WVD2M072: 72 LEDs - 120W - 13377 Lm - 14.1" - 15.2 Lbs
- WVD2M090: 90 LEDs - 150W - 16672 Lm - 16.5" - 16.8 Lbs
- WVD2M108: 108 LEDs - 180W - 20168 Lm - 18.8" - 21.3 Lbs



#### Applications:

- Soffits
- High Bays / Low Bays
- Recessed Canopy Lighting



#### Cut Out Dimensions:

- WVD2M018: 9.45" x 14.17"
- WVD2M036: 9.45" x 14.17"
- WVD2M054: 9.45" x 14.17"
- WVD2M072: 11.81" x 14.17"
- WVD2M090: 14.17" x 14.17"
- WVD2M108: 16.54" x 14.17"

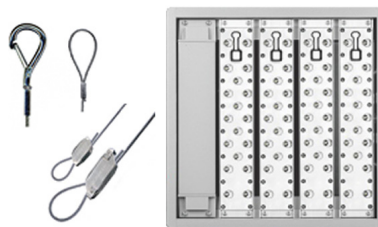
## Mounting:

### SPD - Suspension Kit with Quad Eyelets

- Four eyelets are attached to all four corners of the fixture
- Gripple cabling available for easy suspension mounting
- Stainless steel hardware to ensure long life
- Available in many different IES optics
- Dimming and electrical cable included, pre-wired, extended outside the unit for quick installation
- Terminal block and quick wire disconnects pre-wired
- Motion sensor and photocell capable

#### Available Models:

- WVD2M018: 18 LEDs - 30W - 3394 Lm - 8.3" - 9.9 Lbs
- WVD2M036: 36 LEDs - 60W - 6902 Lm - 8.3" - 10.7 Lbs
- WVD2M054: 54 LEDs - 90W - 9982 Lm - 10.6" - 12.9 Lbs
- WVD2M072: 72 LEDs - 120W - 13377 Lm - 13" - 14.3 Lbs
- WVD2M090: 90 LEDs - 150W - 16672 Lm - 15.4" - 15.8 Lbs
- WVD2M108: 108 LEDs - 180W - 20168 Lm - 20.1" - 20.3 Lbs
- WVD2M126: 126 LEDs - 210W - 23455 Lm - 22.5" - 21.7 Lbs
- WVD2M144: 144 LEDs - 240W - 26653 Lm - 24.8" - 23.8 Lbs
- WVD2M162: 162 LEDs - 270W - 29832 Lm - 27.2" - 25.5 Lbs
- WVD2M180: 180 LEDs - 300W - 33206 Lm - 29.5" - 26.9 Lbs
- WVD2M216: 216 LEDs - 450W - 50133 Lm - 31.1" - 43.3 Lbs
- WVD2M288: 288 LEDs - 600W - 66268 Lm - 34.8" - 51.2 Lbs
- WVD2M360: 360 LEDs - 750W - 82736 Lm - 41.9" - 60.5 Lbs
- WVD2M432: 432 LEDs - 900W - 100987 Lm - 46.6" - 67.7 Lbs

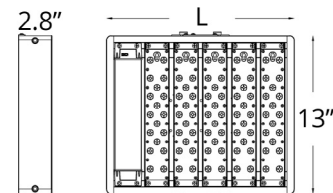


#### Accessories:

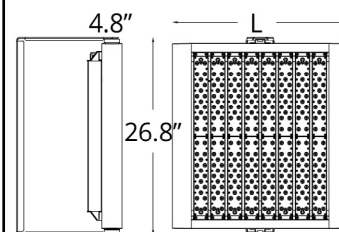
- WVDYFIT210: Gripple Y-Fit 10' Cable with Hook (Pair)
- WVDYFIT215: Gripple Y-Fit 15' Cable with Hook (Pair)
- WVDLOOP210: Gripple Safety Cable 10'
- WVDLOOP215: Gripple Safety Cable 15'

#### Applications:

- High Bays / Low Bays
- Canopies
- Gymnasiums
- Warehouses
- Manufacturing



Models WVD2M018 through WVD2M180



Models WVD2M216 through WVD2M432

### TMC - Horizontal Yoke Bracket with Angle Adjust

- Heavy duty yoke bracket, base adjustable +/-75 degree rotation
- Stainless steel, SAE, heavy gauge adjusting screws
- Available in many different IES optics
- Dimming and electrical cable included, pre-wired, extended outside the unit for quick installation
- Terminal block and quick wire disconnects pre-wired
- Motion sensor and photocell capable

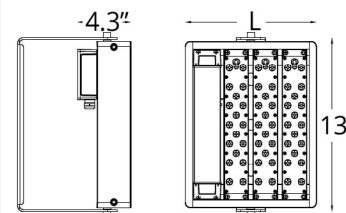
#### Available Models:

- WVD2M018: 18 LEDs - 30W - 3394 Lm - 5.9" - 11.1 Lbs
- WVD2M036: 36 LEDs - 60W - 6902 Lm - 8.3" - 12.5 Lbs
- WVD2M054: 54 LEDs - 90W - 9982 Lm - 10.6" - 14 Lbs
- WVD2M072: 72 LEDs - 120W - 13377 Lm - 13" - 15.5 Lbs
- WVD2M090: 90 LEDs - 150W - 16672 Lm - 15.4" - 16.9 Lbs
- WVD2M108: 108 LEDs - 180W - 20168 Lm - 20.1" - 21.4 Lbs



#### Applications:

- Security
- Pathways
- Sports Courts
- Parking Lots
- General Flood Lighting



### TMU - Vertical Yoke Bracket with Angle Adjust

- Heavy duty yoke bracket, base adjustable +/-75 degree rotation
- Stainless steel, SAE, heavy gauge adjusting screws
- Available in many different IES optics
- Dimming and electrical cable included, pre-wired, extended outside the unit for quick installation
- Terminal block and quick wire disconnects pre-wired
- Motion sensor and photocell capable

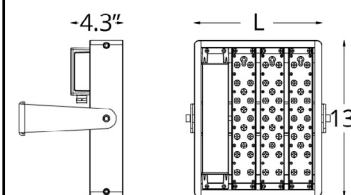
#### Available Models:

- WVD2M018: 18 LEDs - 30W - 3394 Lm - 8.3" - 10.1 Lbs
- WVD2M036: 36 LEDs - 60W - 6902 Lm - 8.3" - 10.9 Lbs
- WVD2M054: 54 LEDs - 90W - 9982 Lm - 10.6" - 13.5 Lbs
- WVD2M072: 72 LEDs - 120W - 13377 Lm - 13" - 15.5 Lbs
- WVD2M090: 90 LEDs - 150W - 16672 Lm - 15.4" - 17.1 Lbs
- WVD2M108: 108 LEDs - 180W - 20168 Lm - 20.1" - 22.3 Lbs
- WVD2M126: 126 LEDs - 210W - 23455 Lm - 22.5" - 24.2 Lbs
- WVD2M144: 144 LEDs - 240W - 26653 Lm - 24.8" - 26.9 Lbs
- WVD2M162: 162 LEDs - 270W - 29832 Lm - 27.2" - 28.6 Lbs
- WVD2M180: 180 LEDs - 300W - 33206 Lm - 29.5" - 30.2 Lbs



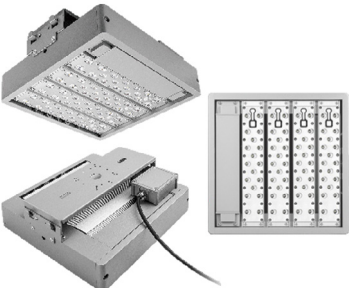
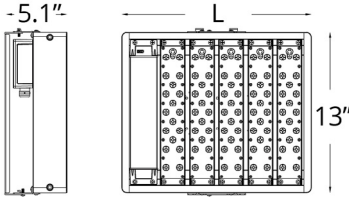

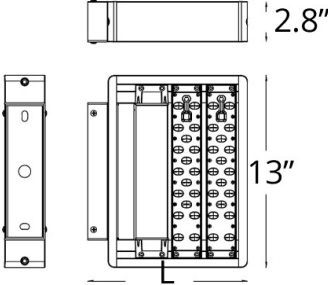

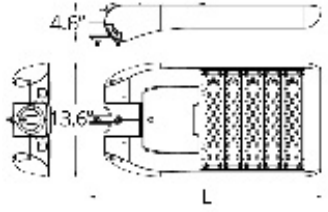
#### Applications:

- Security
- Pathways
- Sports Courts / High Bays
- Parking Lots
- General Flood Lighting



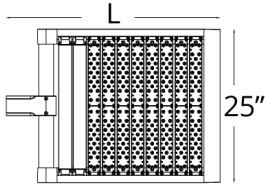

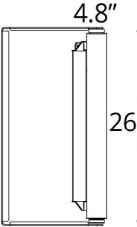
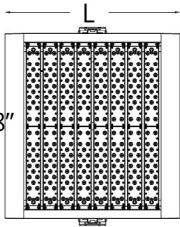
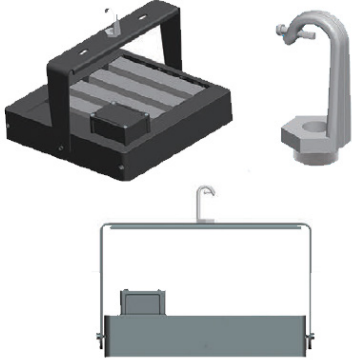
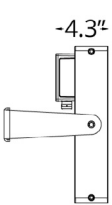
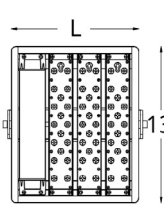




## Mounting:

<p><b>SMD - Static Surface Mount Bracket</b></p> <ul style="list-style-type: none"> <li>• Low profile surface mount kit with several mounting holes</li> <li>• The bracket can also attach to NPT pipe</li> <li>• Stainless steel hardware to ensure long life</li> <li>• Available in many different IES optics</li> <li>• Dimming and electrical cable included, pre-wired, extended outside the unit for quick installation</li> <li>• Terminal block and quick wire disconnects pre-wired</li> <li>• Motion sensor and photocell capable</li> </ul> <p>Available Models:</p> <ul style="list-style-type: none"> <li>• VWD2M018: 18 LEDs - 30W - 3394 Lm - 8.3" - 9.9 Lbs</li> <li>• VWD2M036: 36 LEDs - 60W - 6902 Lm - 8.3" - 10.7 Lbs</li> <li>• VWD2M054: 54 LEDs - 90W - 9982 Lm - 10.6" - 12.9 Lbs</li> <li>• VWD2M072: 72 LEDs - 120W - 13377 Lm - 13" - 14.3 Lbs</li> <li>• VWD2M090: 90 LEDs - 150W - 16672 Lm - 15.4" - 15.8 Lbs</li> <li>• VWD2M108: 108 LEDs - 180W - 20168 Lm - 20.1" - 20.3 Lbs</li> <li>• VWD2M126: 126 LEDs - 210W - 23455 Lm - 22.5" - 21.7 Lbs</li> <li>• VWD2M144: 144 LEDs - 240W - 26653 Lm - 24.8" - 23.8 Lbs</li> <li>• VWD2M162: 162 LEDs - 270W - 29832 Lm - 27.2" - 25.5 Lbs</li> <li>• VWD2M180: 180 LEDs - 300W - 33206 Lm - 29.5" - 26.9 Lbs</li> </ul>	 <p>Applications:</p> <ul style="list-style-type: none"> <li>• High Bays / Low Bays</li> <li>• Canopies</li> <li>• Gymnasiums</li> <li>• Warehouses</li> <li>• Manufacturing</li> <li>• Garages</li> </ul>	
<p><b>WMW - Static Wall Mount Bracket</b></p> <ul style="list-style-type: none"> <li>• Heavy duty mounting arm for wall mount</li> <li>• Stainless steel, SAE, heavy gauge adjusting screws</li> <li>• Available in many different IES optics</li> <li>• Dimming and electrical cable included, pre-wired, extended outside the unit for quick installation</li> <li>• Terminal block and quick wire disconnects pre-wired</li> <li>• Motion sensor and photocell capable</li> </ul> <p>Available Models:</p> <ul style="list-style-type: none"> <li>• VWD2M018: 18 LEDs - 30W - 3394 Lm - 8.5" - 10.5 Lbs</li> <li>• VWD2M036: 36 LEDs - 60W - 6902 Lm - 10.8" - 12.6 Lbs</li> <li>• VWD2M054: 54 LEDs - 90W - 9982 Lm - 13.2" - 13.4 Lbs</li> <li>• VWD2M072: 72 LEDs - 120W - 13377 Lm - 15.5" - 17.2 Lbs</li> </ul>	 <p>Applications:</p> <ul style="list-style-type: none"> <li>• Wall Pack</li> <li>• Area Light</li> <li>• Architectural</li> <li>• Pathways</li> <li>• Security Lighting</li> </ul>	
<p><b>ARA - Horizontal or Vertical Mount 2 3/8" OD Tenon</b></p> <ul style="list-style-type: none"> <li>• Angle adjustment +110/-20 degree with bubble level</li> <li>• Top panel knock out for optional photocell</li> <li>• Stainless steel hardware to ensure long life</li> <li>• Available in many different IES optics</li> <li>• Dimming and electrical cable included, pre-wired, extended outside the unit for quick installation</li> <li>• Terminal block and quick wire disconnects pre-wired</li> <li>• Motion sensor and photocell capable</li> </ul> <p>Available Models:</p> <ul style="list-style-type: none"> <li>• VWD2M018: 18 LEDs - 30W - 3394 Lm - 18.2" - 14.3 Lbs - EPA .46 sq.ft</li> <li>• VWD2M036: 36 LEDs - 60W - 6902 Lm - 20.6" - 15.6 Lbs - EPA .50 sq.ft</li> <li>• VWD2M054: 54 LEDs - 90W - 9982 Lm - 23.1" - 18.1 Lbs - EPA .54 sq.ft</li> <li>• VWD2M072: 72 LEDs - 120W - 13377 Lm - 25.3" - 19.6 Lbs - EPA .59 sq.ft</li> <li>• VWD2M090: 90 LEDs - 150W - 16672 Lm - 27.7" - 20.9 Lbs - EPA .63 sq.ft</li> <li>• VWD2M108: 108 LEDs - 180W - 20168 Lm - 30.1" - 23.9 Lbs - EPA .67 sq.ft</li> <li>• VWD2M126: 126 LEDs - 210W - 23455 Lm - 32.4" - 25.3 Lbs - EPA .72 sq.ft</li> <li>• VWD2M144: 144 LEDs - 240W - 26653 Lm - 34.8" - 27.5 Lbs - EPA .76 sq.ft</li> <li>• VWD2M162: 162 LEDs - 270W - 29832 Lm - 37.2" - 28.9 Lbs - EPA .80 sq.ft</li> <li>• VWD2M180: 180 LEDs - 300W - 33206 Lm - 39.5" - 30.6 Lbs - EPA .84 sq.ft</li> </ul>	 <p>Applications:</p> <ul style="list-style-type: none"> <li>• Roadways</li> <li>• Streets</li> <li>• Parking Lots</li> <li>• Security Lighting</li> </ul>	


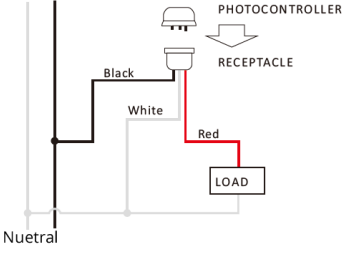

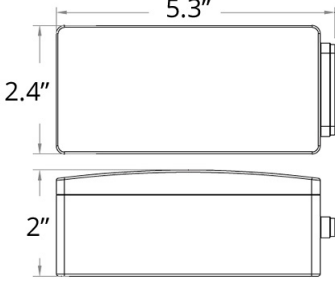

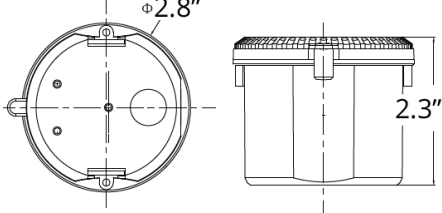

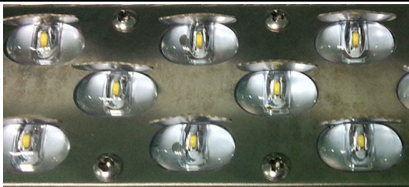
## Mounting:

<p><b>ALE - Horizontal or Vertical Mount 2 3/8" OD Tenon XL</b></p> <ul style="list-style-type: none"> <li>• Suitable for ultra high lumen output applications</li> <li>• Can replace multiple fixtures with one luminaire</li> <li>• Spigot mounts to vertical or horizontal tenon 2 3/8" OD (60mm)</li> <li>• Tenon length must be a minimum of 4.72"</li> <li>• Stainless steel hardware to ensure long life</li> <li>• Available in many different IES optics</li> <li>• Dimming and electrical cable included, pre-wired, extended outside the unit for quick installation</li> <li>• Terminal block and quick wire disconnects pre-wired</li> <li>• Motion sensor and photocell capable</li> </ul> <p>Available Models:</p> <ul style="list-style-type: none"> <li>• WD2M216: 216 LEDs - 450W - 50133 Lm - 31.1" - 43.3 Lbs - EPA .78 sq.ft</li> <li>• WD2M288: 288 LEDs - 600W - 66268 Lm - 34.8" - 51.2 Lbs - EPA .85 sq.ft</li> <li>• WD2M360: 360 LEDs - 750W - 82736 Lm - 41.9" - 60.5 Lbs - EPA .96 sq.ft</li> <li>• WD2M432: 432 LEDs - 900W - 100987 Lm - 46.6" - 67.7 Lbs - EPA 1.03 sq.ft</li> </ul>		<p>3.3" </p> <p></p> <p>Applications:</p> <ul style="list-style-type: none"> <li>• High Mast</li> <li>• Roadways</li> <li>• Parking Lots</li> <li>• Auto Dealerships</li> <li>• Architectural Lighting</li> </ul>
<p><b>ALD - Horizontal Yoke Bracket with Angle Adjust</b></p> <ul style="list-style-type: none"> <li>• Suitable for ultra high lumen output applications</li> <li>• Can replace multiple fixtures with one luminaire</li> <li>• Heavy duty yoke bracket, base adjustable +/-75 degree rotation</li> <li>• Stainless steel, SAE, heavy gauge adjusting screws</li> <li>• Available in many different IES optics</li> <li>• Dimming and electrical cable included, pre-wired, extended outside the unit for quick installation</li> <li>• Terminal block and quick wire disconnects pre-wired</li> <li>• Motion sensor and photocell capable</li> </ul> <p>Available Models:</p> <ul style="list-style-type: none"> <li>• WD2M216: 216 LEDs - 450W - 50133 Lm - 19.8" - 43.3 Lbs</li> <li>• WD2M288: 288 LEDs - 600W - 66268 Lm - 24.5" - 51.2 Lbs</li> <li>• WD2M360: 360 LEDs - 750W - 82736 Lm - 29.2" - 60.5 Lbs</li> <li>• WD2M432: 432 LEDs - 900W - 100987 Lm - 33.9" - 67.7 Lbs</li> </ul>		<p>4.8" </p> <p>26.8" </p> <p>Applications:</p> <ul style="list-style-type: none"> <li>• Security</li> <li>• Sports Lighter</li> <li>• Stadiums</li> <li>• Parking Lots</li> <li>• General Flood Lighting</li> </ul>
<p><b>SPH - Vertical Yoke Bracket with Hook Mount</b></p> <ul style="list-style-type: none"> <li>• Heavy duty yoke bracket, base adjustable +/-75 degree rotation</li> <li>• Stainless steel, SAE, heavy gauge adjusting screws</li> <li>• Available in many different IES optics</li> <li>• Dimming and electrical cable included, pre-wired, extended outside the unit for quick installation</li> <li>• Terminal block and quick wire disconnects pre-wired</li> <li>• Motion sensor and photocell capable</li> </ul> <p>Available Models:</p> <ul style="list-style-type: none"> <li>• WD2M018: 18 LEDs - 30W - 3394 Lm - 8.3" - 10.1 Lbs</li> <li>• WD2M036: 36 LEDs - 60W - 6902 Lm - 8.3" - 10.9 Lbs</li> <li>• WD2M054: 54 LEDs - 90W - 9982 Lm - 10.6" - 13.5 Lbs</li> <li>• WD2M072: 72 LEDs - 120W - 13377 Lm - 13" - 15.5 Lbs</li> <li>• WD2M090: 90 LEDs - 150W - 16672 Lm - 15.4" - 17.1 Lbs</li> <li>• WD2M108: 108 LEDs - 180W - 20168 Lm - 20.1" - 22.3 Lbs</li> <li>• WD2M126: 126 LEDs - 210W - 23455 Lm - 22.5" - 24.2 Lbs</li> <li>• WD2M144: 144 LEDs - 240W - 26653 Lm - 24.8" - 26.9 Lbs</li> <li>• WD2M162: 162 LEDs - 270W - 29832 Lm - 27.2" - 28.6 Lbs</li> <li>• WD2M180: 180 LEDs - 300W - 33206 Lm - 29.5" - 30.2 Lbs</li> </ul>		<p>-4.3" </p> <p>13" </p> <p>Applications:</p> <ul style="list-style-type: none"> <li>• High Bays</li> <li>• Low bays</li> <li>• Canopy Lighting</li> <li>• Warehousing</li> </ul>

## Accessories:

### Vega2 M Accessories (Add to Part Number)

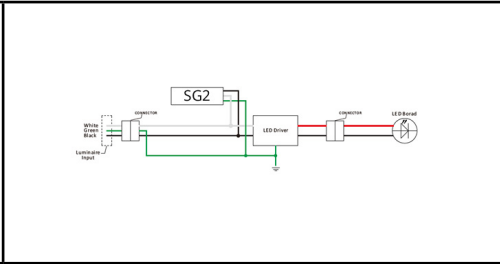
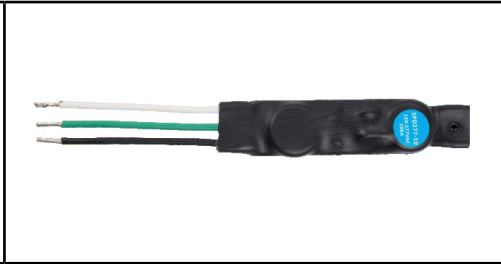
- PC1 - Photocell 100-277 VAC
- PC2 - Photocell 347-480 VAC
- MSO - Outdoor Microwave Motion Sensor 100-277 VAC
- MS1 - Indoor Microwave Motion Sensor 100-277 VAC
- 357 - 3/5/7 NEMA Receptacle
- D1 - 1-10V Dimming
- DL - Dali Dimming
- DMX - DMX control with dimming and on/off function
- PL - Extended Power Cord Per Foot
- PG - Grounded Plug
- BS - Bird Spikes
- SG1 - 22KA Surge Protection 100-277 VAC
- SG2 - 22KA Surge Protection 347-480 VAC
- EB40 - Emergency Backup 100-277 VAC 40W
- BL - Back Light Shield on LED Module
- LS - Complete 4-sided Aluminum Light Shield
- SC - Safety Cable with Loop
- WG - Wire Guard / Vandal Guard
- RB - Remote Mounted Driver Junction Box
- 10 - 10 Year Warranty
- US - USA Assembled Option
- AB1 - Wall Bracket with Tenon, 4" x 8" Mount
- AB2 - 4" Square Pole Twin Tenon, 180 Degree Arms
- AB3 - 4" Square Pole Quad Tenon, 90 Degree Arms
- AB4 - Wall Bracket with Tenon, 4" x 4" Mount
- AB5 - Wall Bracket with 90 Degree Tenon, 4" x 4" Mount
- AB6 - 3.5" to 2 3/8" OD Tenon Adapter
- AB7 - Round Pole Tenon, 90 Degree Arm
- AB8 - Round Pole Twin Tenon, 180 Degree Arms
- AB9 - Round Pole Quad Tenon, 180 Degree Arms
- AB10 - Square Pole Tenon, 90 Degree Arm
- AB11 - Round Pole Tenon, 90 Degree Arm
- AB12 - Adjustable Slipfitter with Angle Indicator
- AB13 - 3/4" Pendant Rod and Ceiling Plate

<p><b>PC1 &amp; PC2 - Photocell</b></p> <ul style="list-style-type: none"> <li>• Time Delay 30-120 seconds avoids mis-operation due to lightning or spot lights</li> <li>• Compensated for temperature</li> <li>• High impact UV stabilized polycarbonate enclosure end eye</li> <li>• Voltage: 100-277 VAC or 347-480 VAC</li> <li>• Operating Range: 0-20 Lux on / 30-60 Lux off</li> <li>• Photocell: Cadmium Sulfide 0.5" with heat sink standard</li> <li>• Photocell pre-installed in fixture</li> </ul>		
<p><b>MSO - Outdoor Microwave Motion Sensor</b></p> <ul style="list-style-type: none"> <li>• Automatic dimming when used in combination with 1-10V dimming driver</li> <li>• Designed for roadway real-time dimming control</li> <li>• Motion detection by microwave (radar)</li> <li>• 100% illumination upon sensing car travelling above 13 mph</li> <li>• Adjustable stand-by brightness</li> <li>• Adjustable delay time from 5 seconds to 10 minutes</li> <li>• Power-on delay time for peak hour conditions can be preset from 4-8 hours</li> <li>• Wireless communication allows lights within the same group to function together</li> <li>• Motion Sensor pre-installed in fixture</li> </ul>		
<p><b>MS1 - Indoor Microwave Motion Sensor</b></p> <ul style="list-style-type: none"> <li>• Automatic dimming when used in combination with 1-10V dimming driver</li> <li>• Designed for high bay real-time dimming control</li> <li>• Built-in adjustable daylight sensor</li> <li>• Detection area, time delay and daylight threshold can be set by DIP switches</li> <li>• Wide detection range up to 50' in diameter and a max mounting height of 45'</li> <li>• IP65 rated for washdown our outdoor use</li> <li>• Motion Sensor pre-installed in fixture</li> </ul>		
<p><b>BL - Back Light Shield</b></p> <ul style="list-style-type: none"> <li>• Innovative design with a shield built directly behind the optic over each LED</li> <li>• Exceptional cutoff without the need for large barn doors</li> <li>• Available with IES files for T3L, T3M, and T4S</li> </ul>		

**Accessories:**

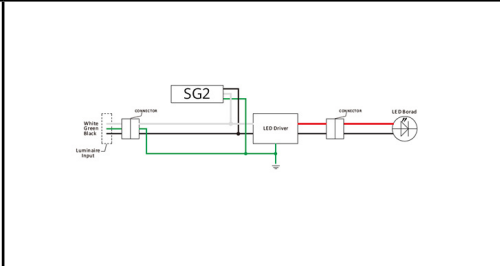
**SG1** - 22KA Surge Protection 100-277 VAC

- Provides single phase protection for line/neutral, line/ground and neutral/ground
- Designed in accordance for LED fixtures
- Input Voltage: 120-277 VAC
- Clamping Voltage: 320 VAC
- Max Energy: 850 Joules
- Max Peak Current: 22kA
- 14 guage stranded wire, 200 Celsius, 600V



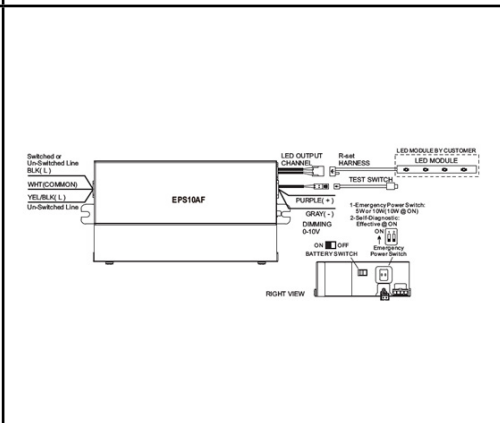
**SG2** - 22KA Surge Protection 347-480 VAC

- Provides single phase protection for line/neutral, line/ground and neutral/ground
- Designed in accordance for LED fixtures
- Input Voltage: 120-277 VAC
- Max Energy: 1260 Joules
- Clamping Voltage: 625 VAC
- Max Peak Current: 22kA
- 14 guage stranded wire, 200 Celsius, 600V



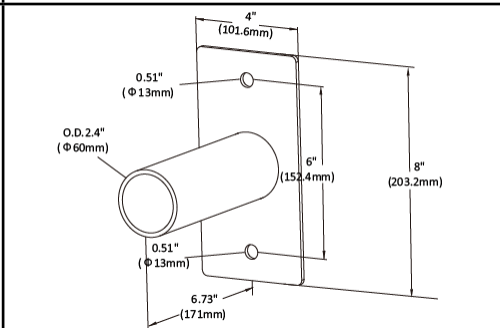
**EB40** - Emergency Backup 100-277 VAC 40W

- Fulham HotSpot Plus Technology
- Integrated LED Driver, emergency LED driver, and replaceable battery
- 0-10V dimming (100%-1%)
- Emergency power: 5W for 180 min or 10W for 90 min (user-selectable)
- Programmable output current: 250-1400mA in 1mA increments
- Programmable dimming curve (allows dim-to-off and step dimming)
- Compatible with Fulham SmartSet programming platform
- Illuminated test switch/AC power indicator
- Switchable self-diagnostics



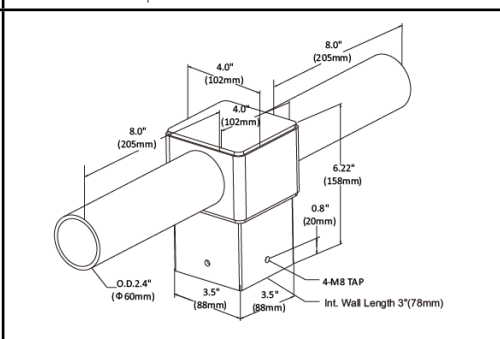
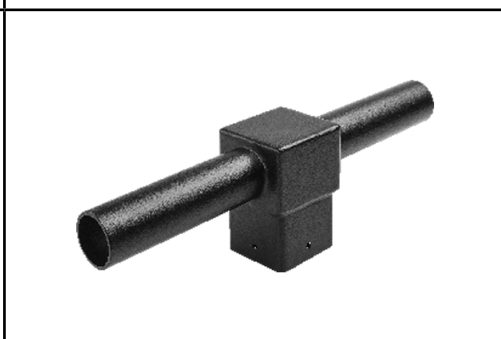
**AB1** - Wall Bracket with Tenon, 4" x 8" Mount

- Heavy grade die-cast aluminum alloy construction built for extreme weather and durability
- Minimum 100µm corrosion resistant polyester powder coating
- Powdercoated to match fixture finish selection



**AB2** - 4" Square Pole Twin Tenon, 180 Degree Arms

- Heavy grade die-cast aluminum alloy construction built for extreme weather and durability
- Minimum 100µm corrosion resistant polyester powder coating
- Powdercoated to match fixture finish selection



Vivid Leds, Inc.  
 PO BOX 9  
 Sellersburg, IN 47172  
 800-974-3570  
 www.vividleds.us

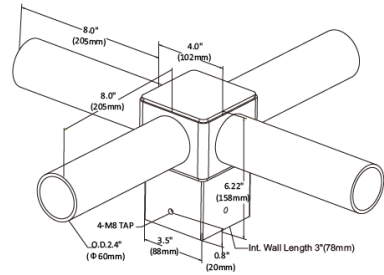
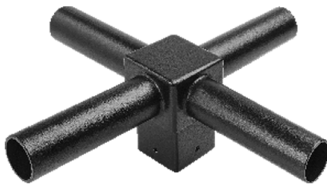
Dimensions, specifications, and product pictures are subject to change without notice.



**Accessories:**

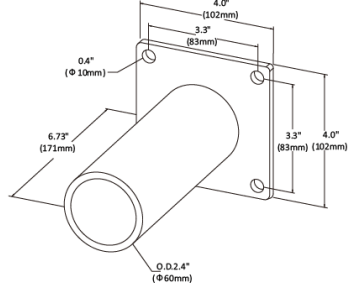
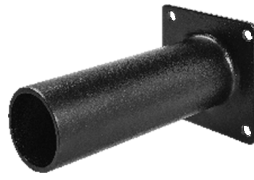
**AB3 - 4" Square Pole Quad Tenon, 90 Degree Arms**

- Heavy grade die-cast aluminum alloy construction built for extreme weather and durability
- Minimum 100µm corrosion resistant polyester powder coating
- Powdercoated to match fixture finish selection



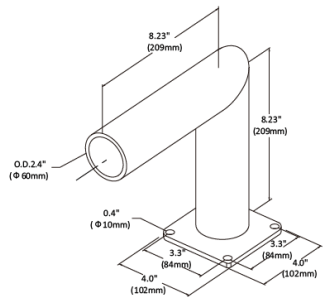
**AB4 - Wall Bracket with Tenon, 4" x 4" Mount**

- Heavy grade die-cast aluminum alloy construction built for extreme weather and durability
- Minimum 100µm corrosion resistant polyester powder coating
- Powdercoated to match fixture finish selection



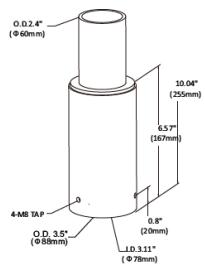
**AB5 - Wall Bracket with 90 Degree Tenon, 4" x 4" Mount**

- Heavy grade die-cast aluminum alloy construction built for extreme weather and durability
- Minimum 100µm corrosion resistant polyester powder coating
- Powdercoated to match fixture finish selection



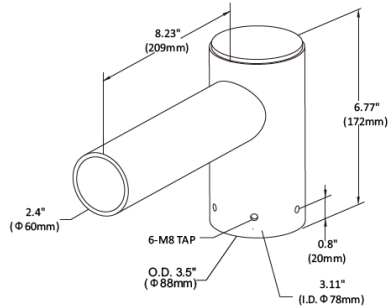
**AB6 - 3.5" to 2 3/8" OD Tenon Adapter**

- Heavy grade die-cast aluminum alloy construction built for extreme weather and durability
- Minimum 100µm corrosion resistant polyester powder coating
- Powdercoated to match fixture finish selection



**AB7 - Round Pole Tenon, 90 Degree Arm**

- Heavy grade die-cast aluminum alloy construction built for extreme weather and durability
- Minimum 100µm corrosion resistant polyester powder coating
- Powdercoated to match fixture finish selection



Vivid Leds, Inc.  
PO BOX 9  
Sellersburg, IN 47172  
800-974-3570  
www.vividleds.us


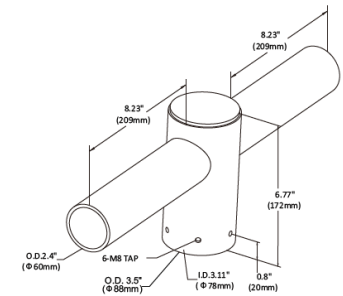

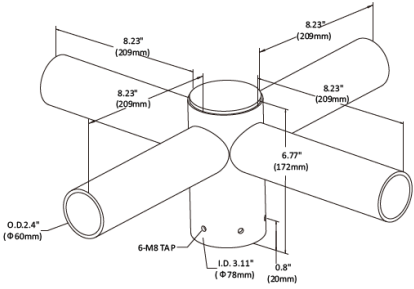
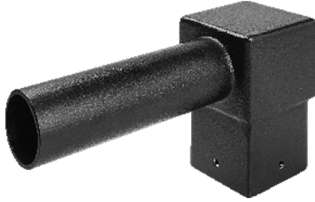
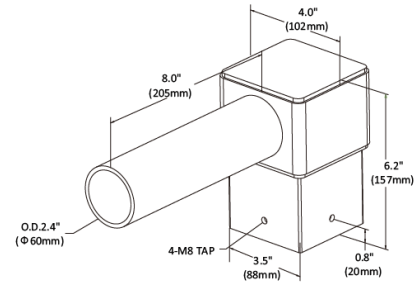

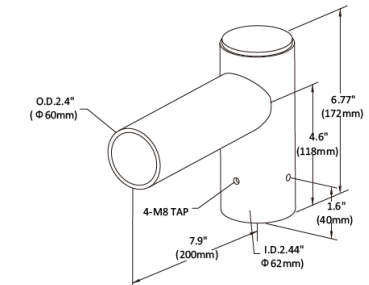
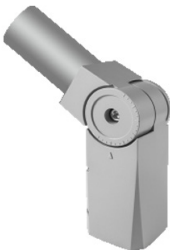
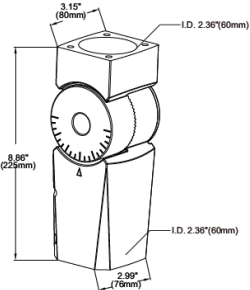
Dimensions, specifications, and product pictures are subject to change without notice.

The product on this page is a manufactured to order, non-stocking item. This product cannot be returned for refund or credit.



Revised 7.13.17

**Accessories:**

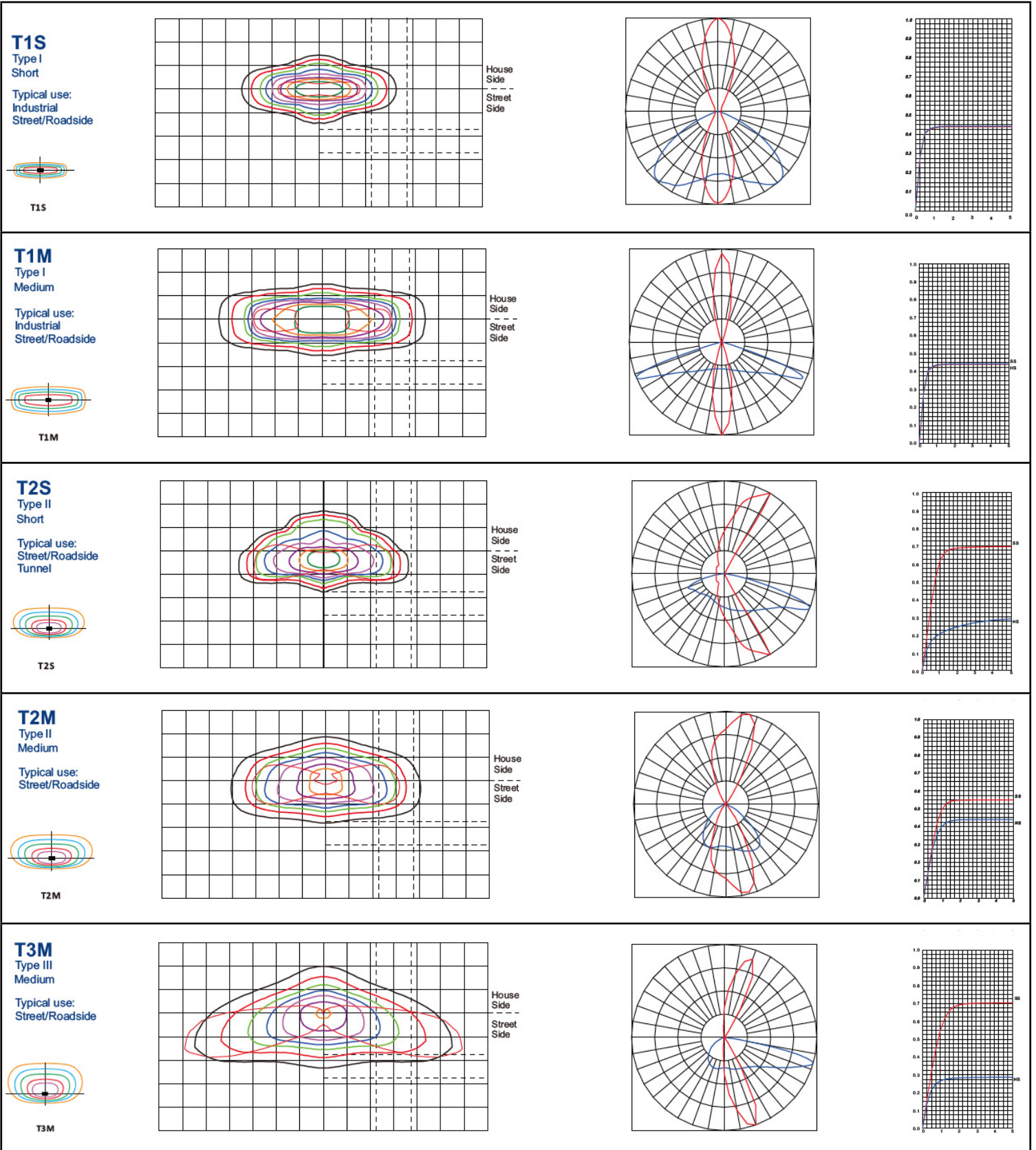
<p><b>AB8 - Round Pole Twin Tenon, 180 Degree Arms</b></p> <ul style="list-style-type: none"> <li>• Heavy grade die-cast aluminum alloy construction built for extreme weather and durability</li> <li>• Minimum 100µm corrosion resistant polyester powder coating</li> <li>• Powdercoated to match fixture finish selection</li> </ul>		
<p><b>AB9 - Round Pole Quad Tenon, 180 Degree Arms</b></p> <ul style="list-style-type: none"> <li>• Heavy grade die-cast aluminum alloy construction built for extreme weather and durability</li> <li>• Minimum 100µm corrosion resistant polyester powder coating</li> <li>• Powdercoated to match fixture finish selection</li> </ul>		
<p><b>AB10 - Square Pole Tenon, 90 Degree Arm</b></p> <ul style="list-style-type: none"> <li>• Heavy grade die-cast aluminum alloy construction built for extreme weather and durability</li> <li>• Minimum 100µm corrosion resistant polyester powder coating</li> <li>• Powdercoated to match fixture finish selection</li> </ul>		
<p><b>AB11 - Round Pole Tenon, 90 Degree Arm</b></p> <ul style="list-style-type: none"> <li>• Heavy grade die-cast aluminum alloy construction built for extreme weather and durability</li> <li>• Minimum 100µm corrosion resistant polyester powder coating</li> <li>• Powdercoated to match fixture finish selection</li> </ul>		
<p><b>AB12 - Adjustable Slipfitter with Angle Indicator</b></p> <ul style="list-style-type: none"> <li>• Heavy grade die-cast aluminum alloy construction built for extreme weather and durability</li> <li>• Minimum 100µm corrosion resistant polyester powder coating</li> <li>• Powdercoated to match fixture finish selection</li> </ul>		

Photometry:

ISO Plot

Polar Curve

CU Graph



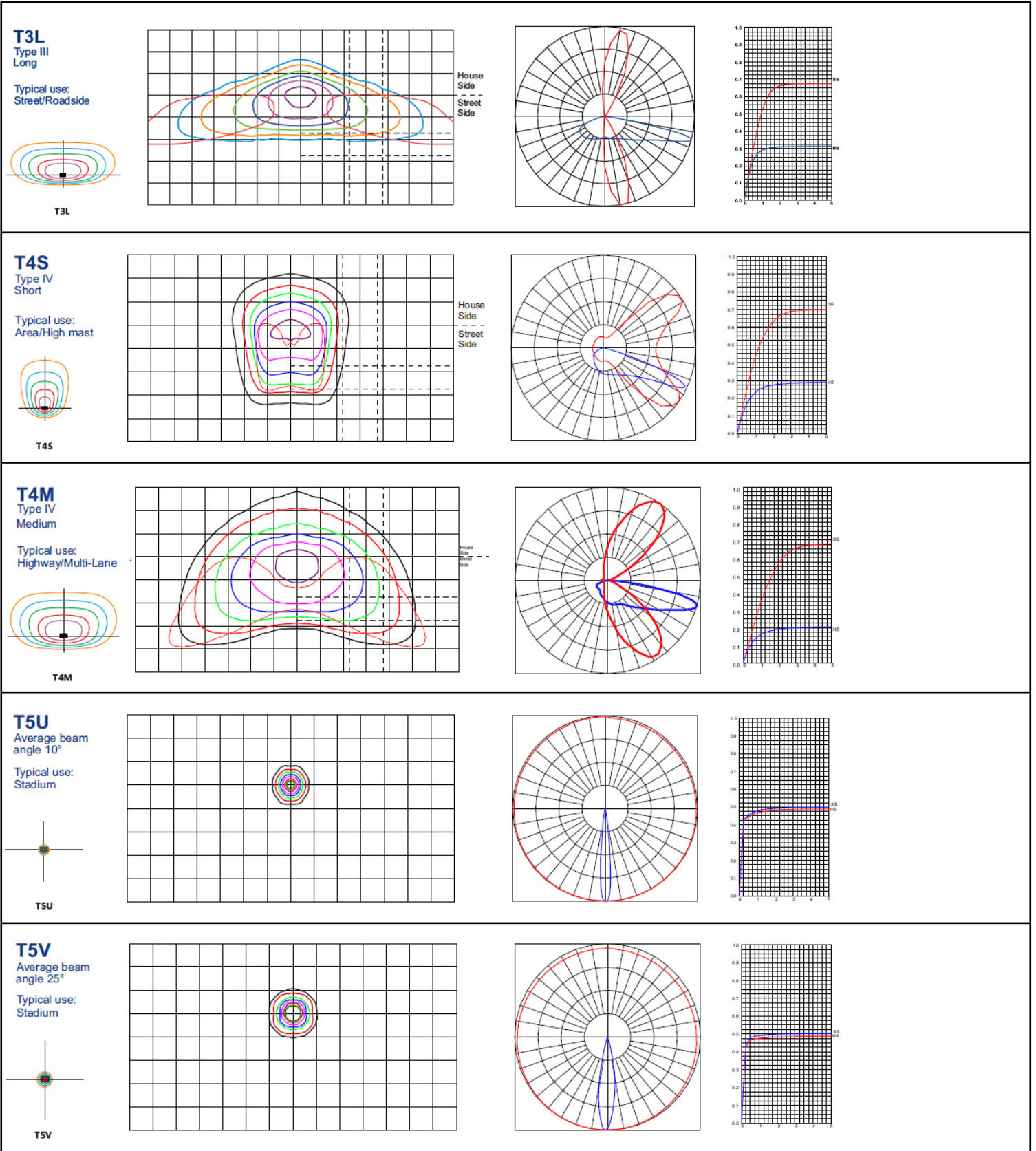


Photometry:

ISO Plot

Polar Curve

CU Graph



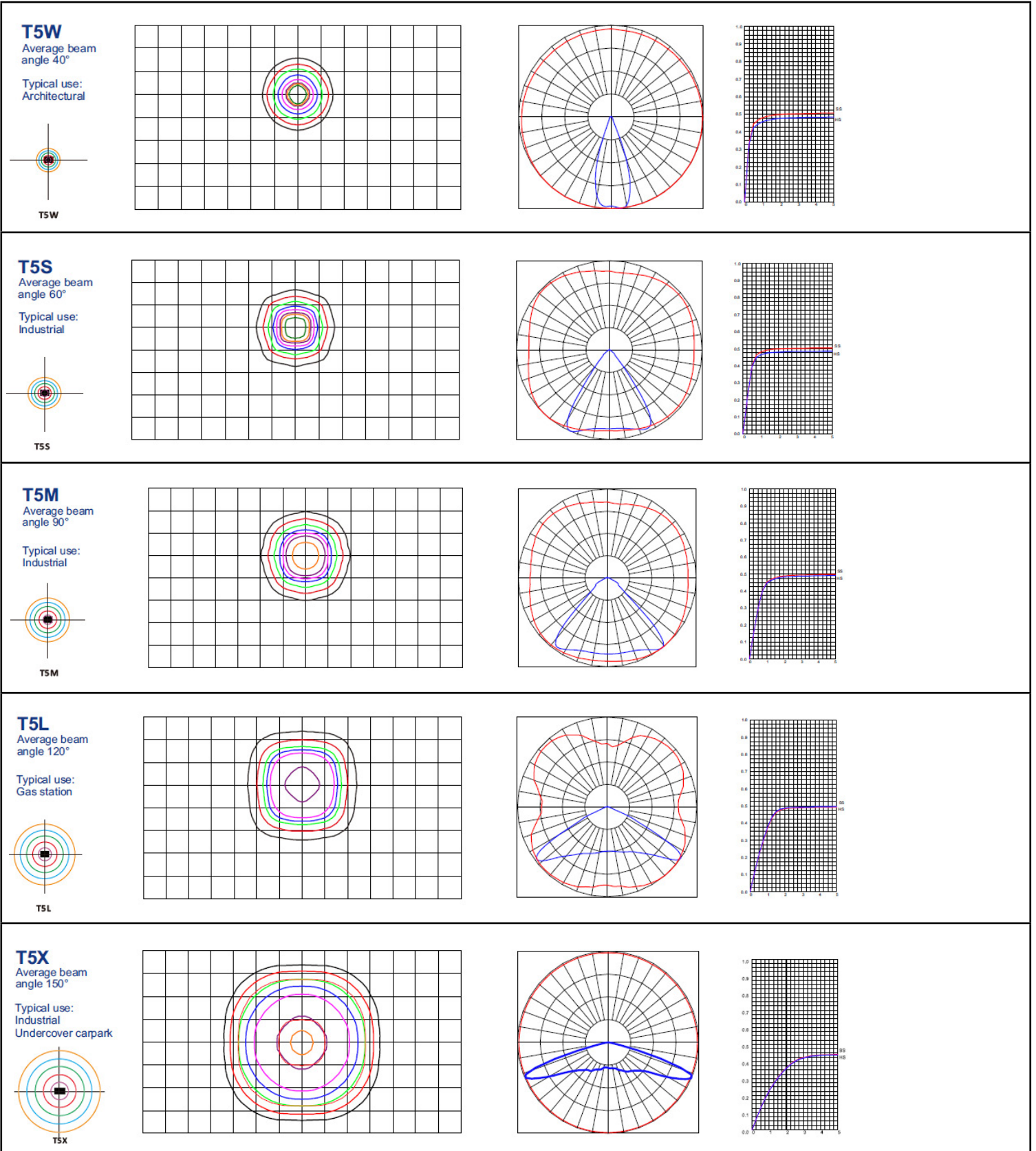


Photometry:

ISO Plot

Polar Curve

CU Graph



Vivid Leds, Inc.  
PO BOX 9  
Sellersburg, IN 47172  
800-974-3570  
www.vividleds.us

Dimensions, specifications, and product pictures are subject to change without notice.

The product on this page is a manufactured to order, non-stocking item. This product cannot be returned for refund or credit.

Photometry:

ISO Plot

Polar Curve

CU Graph

